

## Product End of Life Notification

Date: December 22<sup>nd</sup>, 2011

### Product Being Discontinued

Model Number	Description
232CL3R	REV CURR LOOP CONV

### Replacement Product

Model Number	Description
232PCLR	POWERED CURRENT LOOP

### Orders will be accepted and shipped until the following dates

Last Time Buy:	April 1 <sup>st</sup> , 2012
Last Time Ship:	April 30 <sup>th</sup> , 2012

The replacement product is not an exact match. Refer to the attached documents for differences.

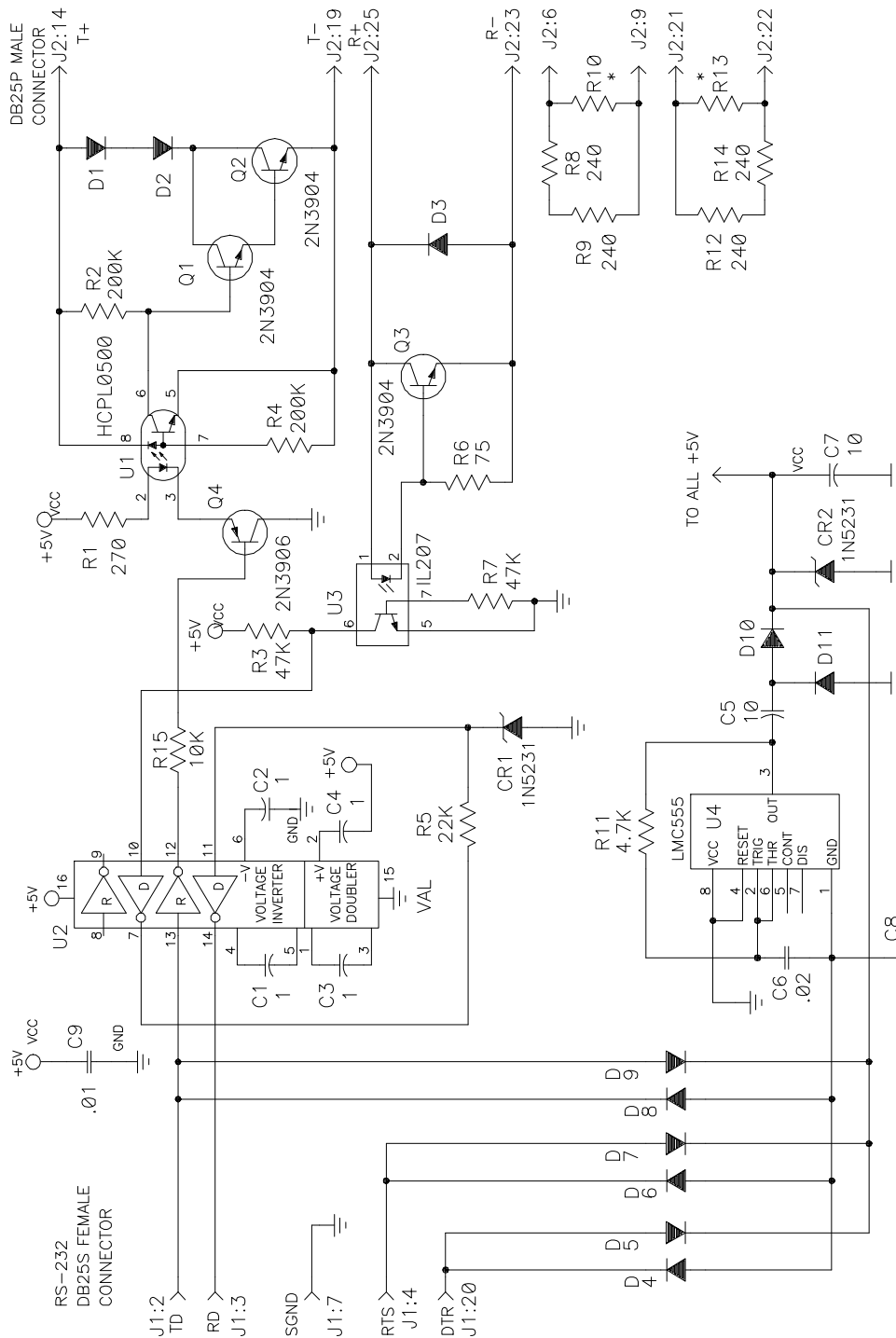
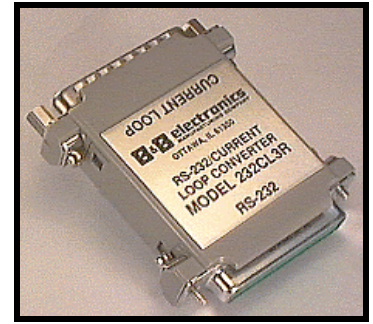
Please contact us immediately if you have any special needs for this product or have any other concerns.

Thank You,

Brian Foster, Product Manager  
[bfoster@bb-elec.com](mailto:bfoster@bb-elec.com)

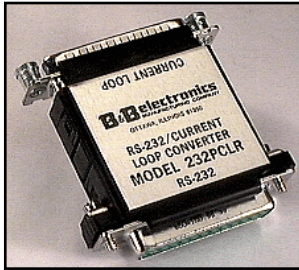
## Reversed Self-Powered Current Loop Converter Model 232CL3R

**NOTE:** When using an external supply, the supply should be connected only to specifically labeled power inputs (power jack, terminal block, etc.). Connecting an external power supply to the handshake lines may damage the unit. Contact technical support for more information on connecting an external power supply to the handshake lines.



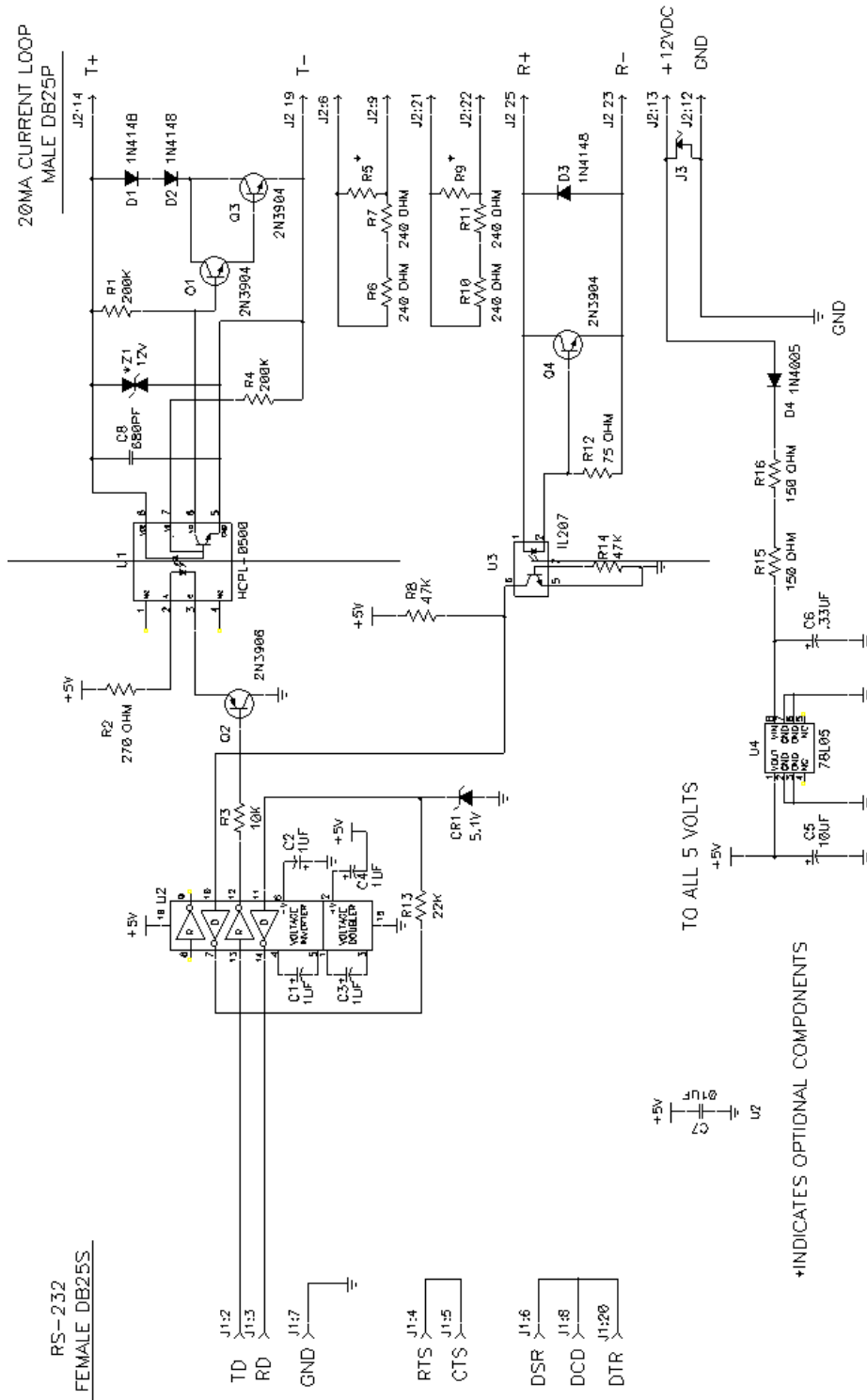
ALL DIODES 1N4148 UNLESS NOTED.  
ALL CAPACITANCE VALUES IN MICROFARADS.  
\* INDICATES OPTIONAL THROUGH HOLE REPLACEMENT.

© B&B Electronics -- June 1998



# Model 232PCLR RS-232 to Current Loop

232PCLR-3703 -1/2  
© 2003 by B&B Electronics. All rights reserved.



International Headquarters:

**B & B Electronics Mfg. Co.** 707 Dayton Road P.O. Box 1040 Ottawa, IL 61350 USA  
815-433-5100 Fax 433-5104 [www.bb-elec.com](http://www.bb-elec.com) [orders@bb-elec.com](mailto:orders@bb-elec.com) [support@bb-elec.com](mailto:support@bb-elec.com)

**B & B Electronics Ltd** Westlink Commercial Park Oranmore Co. Galway Ireland  
+353 91 792444 Fax +353 91 792445 [www.bb-europe.com](http://www.bb-europe.com) [orders@bb-elec.com](mailto:orders@bb-elec.com) [support@bb-europe.com](mailto:support@bb-europe.com)

**NOTE: When using an external supply, the supply should be connected only to specifically labeled power inputs (power jack, terminal block, etc.). Connecting an external power supply to the handshake lines may damage the unit. Contact technical support for more information on connecting an external power supply to the handshake lines.**

**DECLARATION OF CONFORMITY**

Manufacturer's Name: B&B Electronics Manufacturing Company  
Manufacturer's Address: P.O. Box 1040  
707 Dayton Road  
Ottawa, IL 61350 USA  
Model Number: 232PCLR  
Description: RS-232 to Current Loop Converter  
Type: Light industrial ITE equipment  
Application of Council Directive: 89/336/EEC  
Standards: EN 55022  
EN 61000-6-1  
EN 61000 (-4-2, -4-3, -4-4, -4-5, -4-6, -4-8, -4-11)



William H. Franklin III, Director of Engineering



International Headquarters:

**B&B Electronics Mfg. Co.** 707 Dayton Road P.O. Box 1040 Ottawa, IL 61350 USA  
815-433-5100 Fax 433-5104 [www.bb-elec.com](http://www.bb-elec.com) [orders@bb-elec.com](mailto:orders@bb-elec.com) [support@bb-elec.com](mailto:support@bb-elec.com)

**B&B Electronics Ltd** Westlink Commercial Park Oranmore Co. Galway Ireland  
+353 91 792444 Fax +353 91 792445 [www.bb-europe.com](http://www.bb-europe.com) [orders@bb-elec.com](mailto:orders@bb-elec.com) [support@bb-europe.com](mailto:support@bb-europe.com)