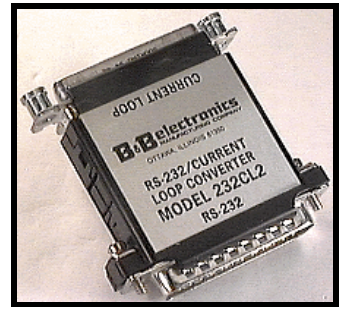


# Current Loop Converter Model 232CL2

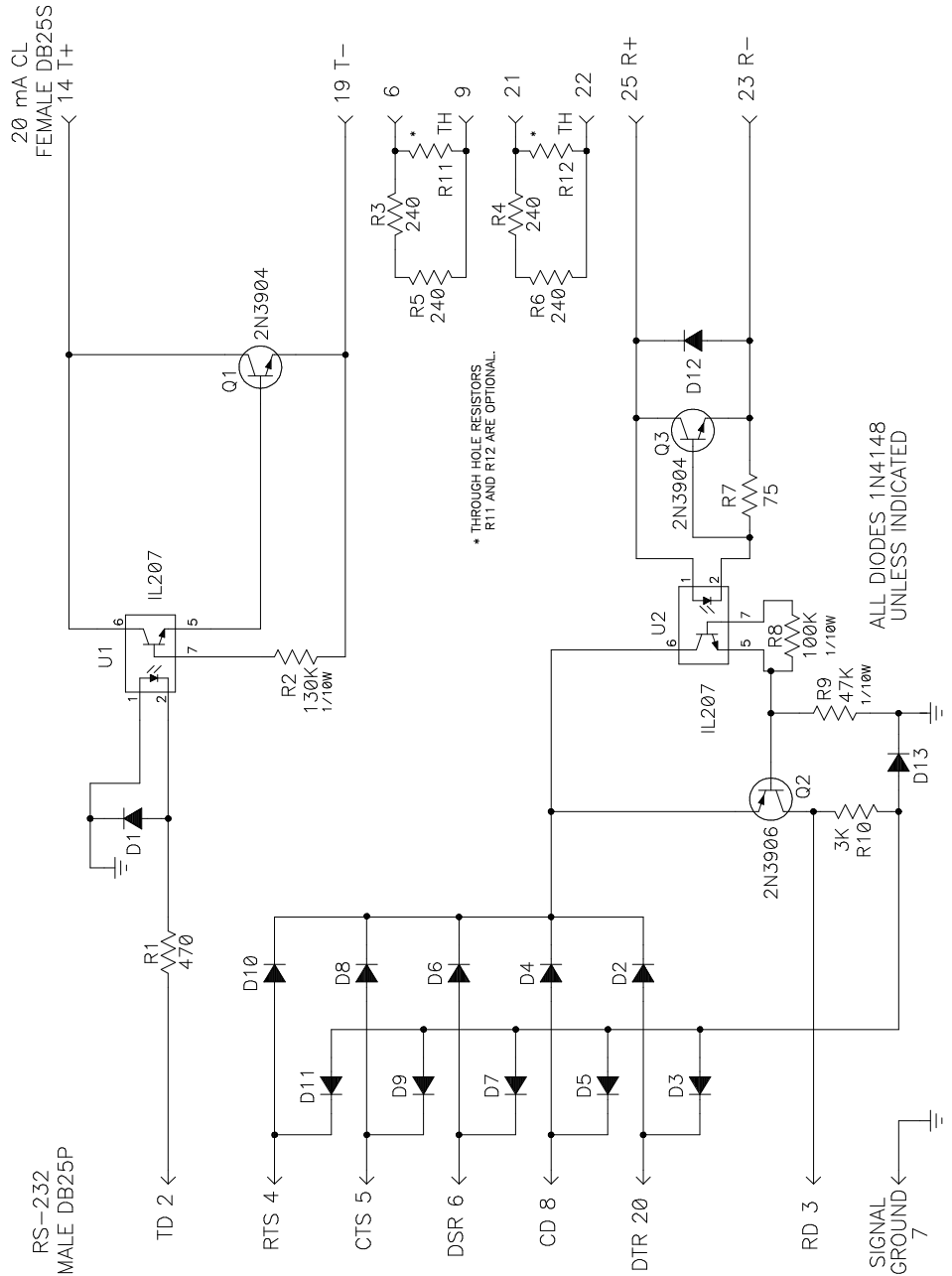
Document No. 232CL24895



This B&B converter inputs RS-232 Transmit Data (2) and outputs 20 ma current loop signals, T+ and T-. The device also inputs current loop signals, R+ and R-, and outputs RS-232 Receive Data (3). High speed optical isolators couple and isolate the TD and RD.

The following information will help you make your interconnection:

1. **Connectors.** The 232CL2 uses a male DB25P connector for the RS-232 interface and a female DB25S connector for the current loop interface.
2. **Power for the Converter.** The Model 232CL2 is designed to use +/- 12 Volts from pins 4, 5, 6, 8 and 20 to power the RS-232 side of the unit. One of these pins must be high and one must be low for the unit to work. These lines will not be necessary if you are converting in one direction only, RS-232 to current loop, and you do not need to convert from current loop to RS-232. **NOTE: When using an external supply, the supply should be connected only to specifically labeled power inputs (power jack, terminal block, etc.). Connecting an external power supply to the handshake lines may damage the unit. Contact technical support for more information on connecting an external power supply to the handshake lines.**
3. **Current Loop Power.** The unit will operate with active or passive current loop ports, and no power is required on the current loop side of the converter if you port is active. If your current loop port is passive (does not have power), an external power supply of about 12 Volts DC must be wired to pins 9 and 21. (See figure). These pins are connected to resistors inside the converter and are used to create the 20 ma. current source. Through-hole resistors R11 and R12 allow you to create a current loop other than 20 ma.



© B&B Electronics November 1995