

**Not Recommended for New Installations.**  
Please contact Technical Support for more information.

# RS-232 to RS-232 Optical Isolator

## Model 232OP4

The Model 232OP4 optically isolates four RS-232 lines. The isolator is provided with a DB25 male connector on one side and a DB25 female on the other side. Signals pass through the isolator as follows:

### DB-25 Male Side

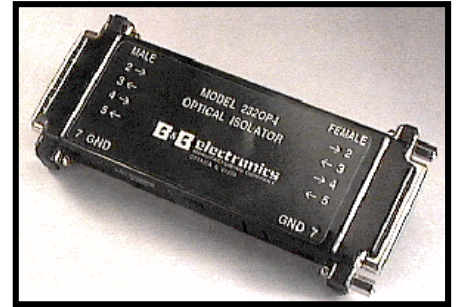
#### Pin Number

2 Input ..... TD .....  
3 Output..... RD .....  
4 Input ..... RTS .....  
5 Output..... CTS .....

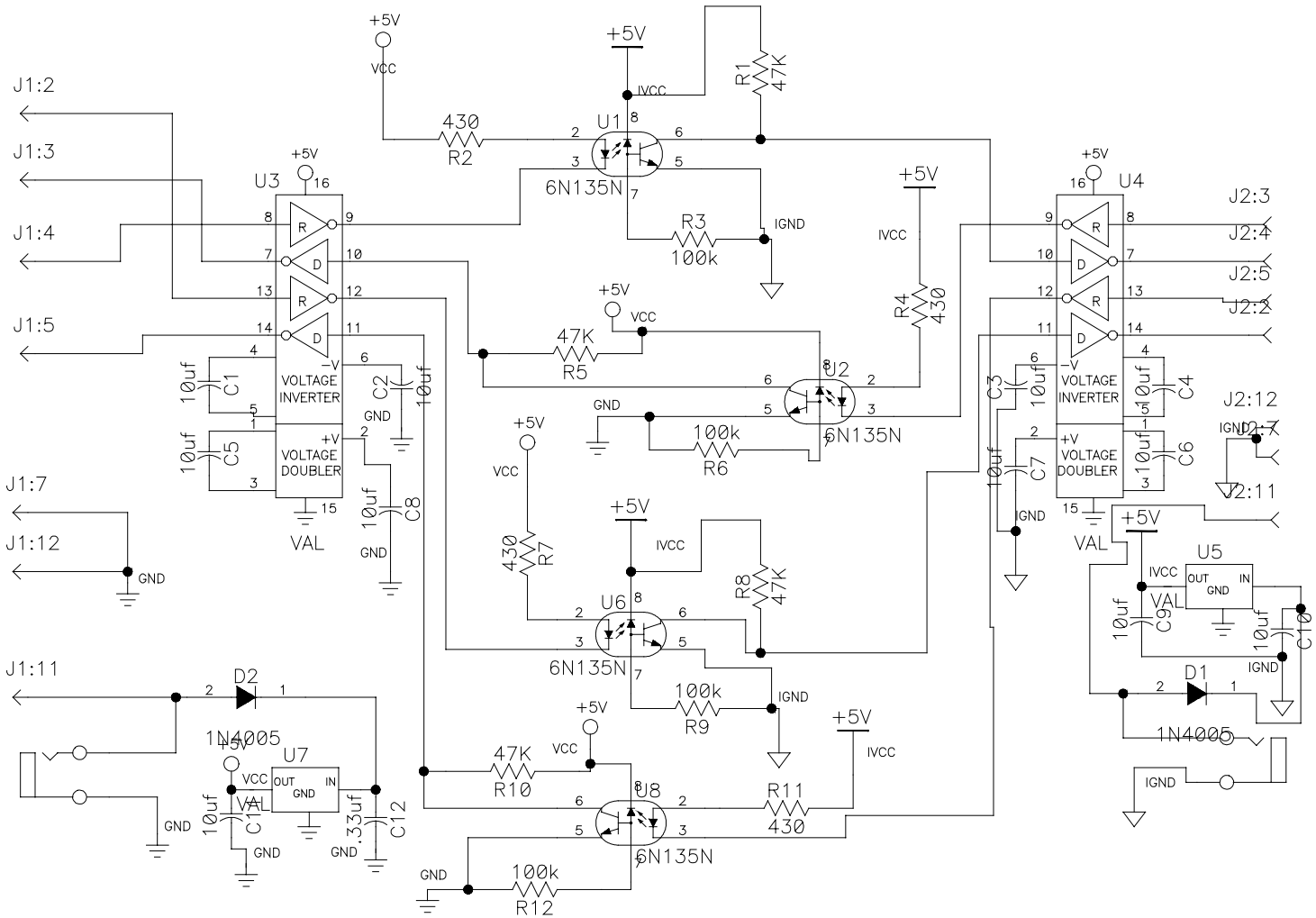
### DB-25 Female Side

#### Pin Number

2 Output  
3 Input  
4 Output  
5 Input



This isolator can be used at data rates to 38.4k baud. The RS-232 lines marked RTS and CTS above can also be used to isolate data lines. Each side of the isolator requires a 12VDC power supply at about 30 ma. Two Model 232PS power supplies can be used for this purpose. Remote power can be brought into each side of the isolator on pins 12 (GND) and 11 (+12VDC). When remote power supplies are used, their grounds must be isolated to maintain the isolation of the RS-232 signals.



ALL RESISTORS ARE 1/4 WATT.

© B&B Electronics -- Revised April 1995

*This product designed and manufactured in USA of domestic and imported parts by*

**B&B electronics**  
MANUFACTURING COMPANY

707 Dayton Road • PO Box 1040  
Ottawa, IL 61350 USA  
Phone: (815) 433-5100 • FAX: (815) 434-7094