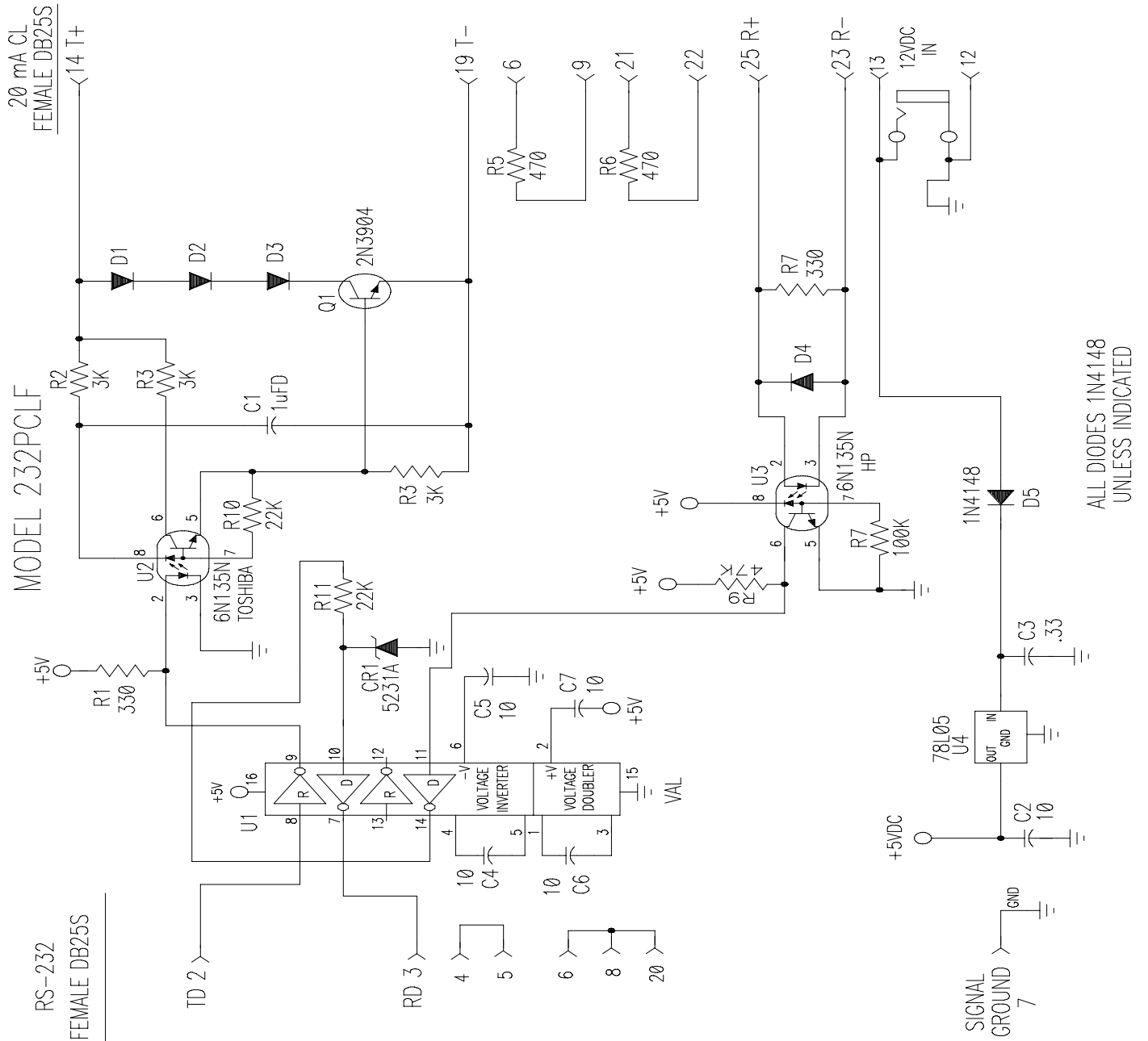
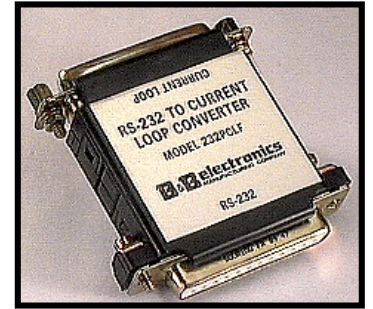


RS-232 to Current Loop Converter

Model 232PCLF



ALL DIODES 1N4148
UNLESS INDICATED