

Reversed Current Loop Converter

With Keyboard Power

Model 232PCLKR

Document No. 232PCLKR2495



The B&B converter 232PCLKR inputs RS-232 Transmit Data (pin 2) and outputs 20 mA. current loop signals, T+ and T-. The device also inputs current loop signals, R+ and R-, and outputs RS-232 Receive Data (pin 3). The TD and RD lines are also optically isolated.

The RS-232 port is a DB-25 female. The current loop port is a DB-25 male.

Using the attached keyboard power adapter cable, the converter derives its power from the keyboard power supply for the RS-232 side. No other supply is needed if the current loop is active. To determine if the current loop is active, disconnect the wires and check for any DC voltage across the input and output pairs.

If the current loop is passive (has no power), then a +12VDC power supply must be connected to pins 9 and 21. B&B Model 232PS2 power supply is recommended. See Figure 1. For an active current loop, the wiring is shown in Figure 2. To interconnect two current loop converters, see Figure 3.

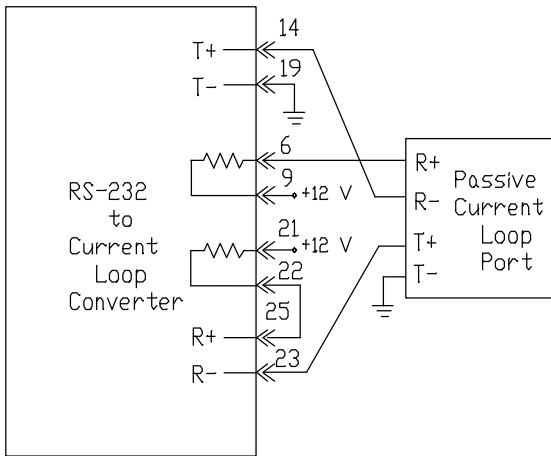


Figure 1.

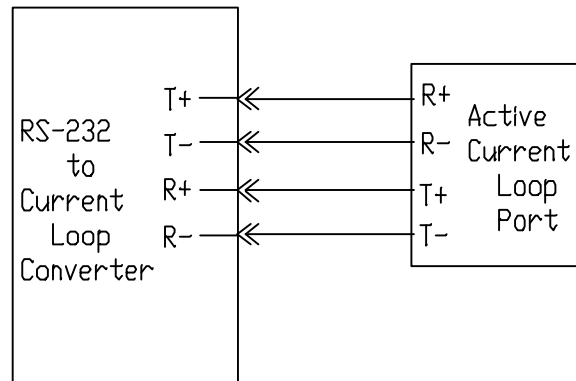


Figure 2.

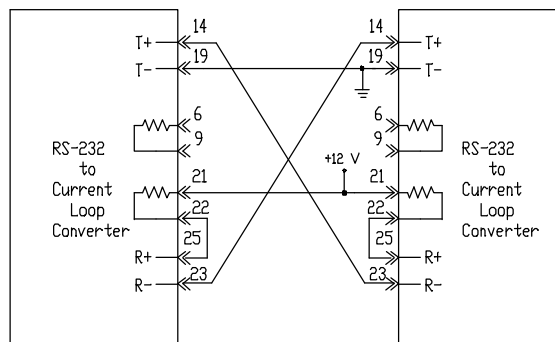


Figure 3.

© B&B Electronics

