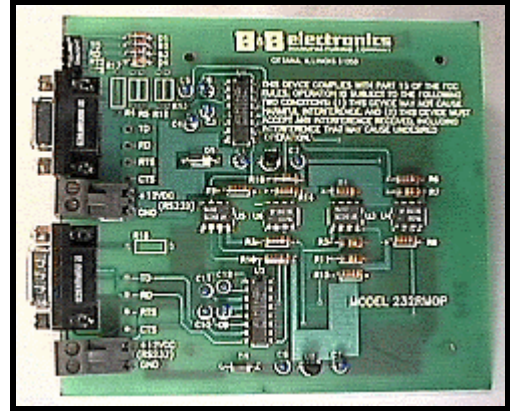


# Rack Mount or Panel Mount RS-232 to RS-232 Optical Isolator Model 232RMOP

Document No. 232RMOP1795

The Model 232RMOP optically isolates four RS-232 lines. One side of the isolator has a DB9S female connector (J1). This side of the isolator is referred to as V1 side on the schematic. The other side of the isolator has a DB9P male connector (J2) and is referred to as V2 side on the schematic. An option is available for terminal blocks on each side of the isolator. Contact B&B Technical Support for further details.



Signals pass through the isolator as follows:

J1/V1 Side Pin #	J2/V2 Side Pin #
INPUT 3 _____ TD _____	3 OUTPUT
OUTPUT 2 _____ RD _____	2 INPUT
INPUT 7 _____ RTS _____	7 OUTPUT
OUTPUT 8 _____ CTS _____	8 INPUT

The RS-232 lines marked RTS and CTS can also be used to isolate data lines.

### Power Supply

The Model 232RMOP requires two +12VDC unregulated power supplies at approximately 35ma. each. B&B Electronics power supply Model 12VDPSIN is a dual isolated 500ma. power supply that can power several 232RMOP isolators. If power supplies other than the 12VDPSIN are used, they must provide unregulated +12VDC power between +11 to +18 volts DC. Only isolated power supplies can be used to power the Model 232RMOP.

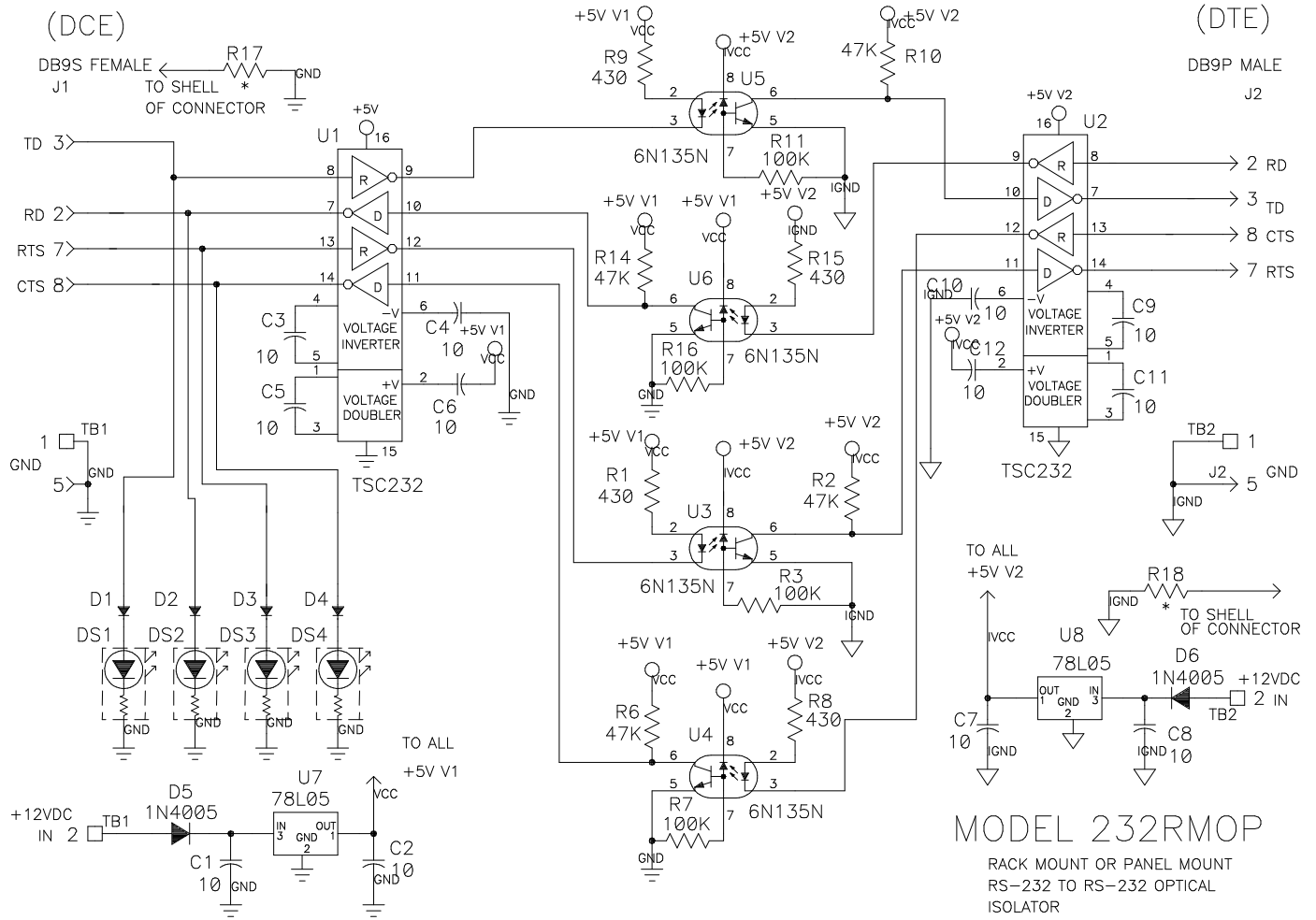
### Mounting

The Model 232RMOP is designed to fit in any STD bus card cage. The dimensions of the card are 4.5"H X 5.0"L. In addition, there are four corner mounting holes if standoff mounting methods are preferred.

© B&B Electronics

**B & B electronics**  
MANUFACTURING COMPANY

707 Dayton Road • PO Box 1040  
Ottawa, IL 61350 USA  
Phone: (815) 433-5100 • FAX: (815) 434-7094



MODEL 232RMOP  
 RACK MOUNT OR PANEL MOUNT  
 RS-232 TO RS-232 OPTICAL ISOLATOR

ALL LED'S ARE RED    ALL DIODES ARE 1N4148'S UNLESS NOTED    ALL CAPACITANCE VALUES IN MICROFARADS

\*--INDICATES OPTIONAL