

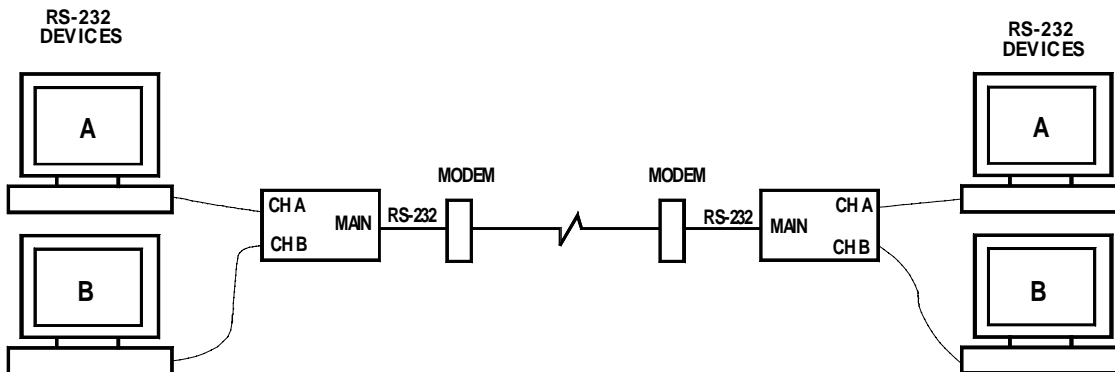
High Speed Miniature 2-Port Statistical Multiplexer CE Model 3032SM



Introduction

The Model 3032 is a miniature, two-port statistical multiplexer that allows 4 asynchronous RS-232 devices to communicate over a single modem link. Using special circuitry to monitor and prioritize data flow, this multiplexer effectively doubles the capacity of two analog modems or two short range modems. It also allows four asynchronous RS-232 devices to be connected together over short distances (under 100 feet).

Typical Application



Description

The Model 3032 is configured using extended AT commands. Both the local and remote multiplexers can be configured from sub-channel A or sub-channel B. The 3032 can be programmed so it is ready for communication when the connected modem raises CD. The 3032 has auto-baud sensing capability and supports both hardware handshaking (RTS/CTS) and software (Xon/Xoff) flow control. The unit is small enough to plug directly into the RS-232 port of a modem. Both sub-channels (serial ports) on the 3032 have RJ-45 jacks on them. No AC power or batteries are needed and all power is taken from the main RS-232 (DTE configured) port. The Model 3032 supports selectable sub-channel data rates to 57.6Kbps and main channel data rates up to 115.2Kbps.

Specifications

Sub-Channels (Serial Devices)

Interface: RJ-45, V.24/RS-232C
 Configuration: DCE Transmission: Asynchronous, full duplex
 Baud Rate: 110, to 57600 bps selectable (auto detected up to 38.4 Kbps)
 Word Size: 7 or 8 data bits
 Parity: Odd, even, mark, space, or none
 Stop Bits: 1 or 2
 Flow Control: Hardware (RTS/CTS), software (XON/XOFF)

Main Channel (Modem)

Interface: DB-25 male, DTE, V.24/RS-232-C
 Transmission: Asynchronous, full duplex
 Baud Rate: 2.4, 4.8, 9.6, 19.2, 38.4, 57.6 and 115.2 Kbps, selectable
 Flow Control: RTS/CTS or no flow control

B&B Electronics -- Revised April 1999

B&B Electronics Mfg. Co.
 707 Dayton Road - P.O. Box 1040 - Ottawa, IL 61350 USA
 Phone: (815) 433-5100 - Fax: (815) 433-5105
 Home Page: www.bb-elec.com
 Sales e-mail: orders@bb-elec.com - Fax: (815) 433-5109
 Technical Support e-mail: support@bb-elec.com - Fax: (815) 433-5104

B&B Electronics Ltd
 Westlink Commercial Park - Oranmore, Co. Galway - Ireland
 Phone: +353 91 792444 - Fax: +353 91 792445
 Home Page: www.bb-europe.com
 Sales e-mail: orders@bb-europe.com
 Technical Support e-mail: support@bb-europe.com

Not Recommended for New Installations.
Please contact Technical Support for more information.

Environmental

Temp Range: 32 - 158°F (0 - 70°C)
Altitude: 0 - 15,000 feet (0 - 4.5km)
Humidity: Up to 95% (non-condensing)
Dimensions: 2.7" x 2.1" x 7.4" (6.9cm x 5.3cm x 1.9cm)
Weight: 0.10 lbs (0.045 Kg)

Power Supply Available: Model 3P-MF

120VAC wall mount transformer supplies 9 to 12VDC at 100mW to pin 9 of DB25 interface where pin 7 is ground.
This unit plugs into the communication line.

Sub-Channel Cable Options

Part Number:

25M8CK (requires part# 8C7F)
25F8CK (requires part# 8C7F)
9F8CK (requires part# 8C7F)
9M8CK (requires part# 8C7F)
8C7F

Cable Description:

DB-25 male to RJ-45 male, 7'
DB-25 female to RJ-45 male, 7'
DB-9 female to RJ-45 male, 7'
DB-9 male to RJ-45 male, 7'
RJ-45 male to RJ-45 male, 7'



B&B Electronics -- Revised April 1999

B&B Electronics Mfg. Co.
707 Dayton Road - P.O. Box 1040 - Ottawa, IL 61350 USA
Phone: (815) 433-5100 - Fax: (815) 433-5105
Home Page: www.bb-elec.com
Sales e-mail: orders@bb-elec.com - Fax: (815) 433-5109
Technical Support e-mail: support@bb-elec.com - Fax: (815) 433-5104

B&B Electronics Ltd
Westlink Commercial Park - Oranmore, Co. Galway - Ireland
Phone: +353 91 792444 - Fax: +353 91 792445
Home Page: www.bb-europe.com
Sales e-mail: orders@bb-europe.com
Technical Support e-mail: support@bb-europe.com