



Empire Series



For your largest applications, turn to the Empire Series from Allied Moulded. Fiberglass construction offers durability and strength without the excessive weight of a comparable metal enclosure. Available in ten standard sizes, including eight wall mount cabinets from 36" x 30" x 12" to 60" x 36" x 16" and two freestanding sizes up to 72" x 49" x 25". A full range of modification services are also available on our Empire Series enclosures.

Empire Series Features & Benefits

- Fiberglass reinforced polyester construction for durability
- Continuous stainless steel hinge
- Flexible, self-gripping gasket compresses over flange for tight seal
- Wall mount units need only three closure latches to meet NEMA Type 4X requirements
- Freestanding units have 3-point latching handles which meet NEMA Type 4 requirements
- Optional painted carbon steel back panels are fully interchangeable with other specified enclosures
- Bonded fiberglass strut standard for additional mounting options

Suitable Applications

- Electrical junctions
- Terminal wiring
- Electrical and electronic controls, instruments, components
- Housing pushbuttons, switches or other devices
- Other industrial control equipment

Secure online ordering 24/7/365 from:

B & B electronics
MANUFACTURING COMPANY
www.bb-electronics.com



Empire Series Specifications

- Non-corrosive
- Non-conductive
- Lightweight vs. stainless steel
- Temperature-resistant
- Fire-resistant
- Rated NEMA 4, 4X,
- cUL listed



Accessories

- Optional painted carbon steel back panels

Modifications

We are pleased to modify any of our standard products to fit your needs. We have the lowest volume requirements on custom work in the industry, and quick turnaround time.

We can modify any of our Empire Series enclosures with:

- Custom holes and cutouts
- Viewing windows
- Molded-in color matches
- EMI/RFI shielding
- Factory-supplied silk screening
- Front and rear access doors
- Mounting strut

For complete details on factory modifications including a modification request form, see pages 76-78.

Secure online
ordering
24/7/365 from

B & B electronics
MANUFACTURING COMPANY

International Headquarters: 707 Dayton Road - PO Box 1040 - Ottawa, IL 61350 USA
815-433-5100 Fax 815-433-5104 www.bb-elec.com orders@bb-elec.com support@bb-elec.com

European Headquarters: Westlink Commercial Park - Oranmore Co. Galway - Ireland
+353 91 792444 Fax +353 91 792445 www.bb-europe.com orders@bb-europe.com support@bb-europe.com



Empire Series: Wall Mount



A P P L I C A T I O N

- Designed to insulate and house electrical and electronic controls, instruments or components for indoor and outdoor applications
- Especially well suited for high temperature or corrosive environments
- Protects from dirt, dust, oil and water

S T A N D A R D S

- Construction meets NEMA/EEMAC Type 4, 4X specifications
- cUL 508 listed, Type 4, 4X

C O N S T R U C T I O N

- Durable, corrosion resistant fiberglass construction
- Flexible, self-gripping gasket compresses over flange for tight seal and needs only three closure latches to meet NEMA 4X requirements
- Heavy-duty continuous 304 stainless steel hinge
- Fiberglass material has UV inhibitors which provide ideal protection from outdoor weathering

A C C E S S O R I E S

- Optional painted carbon steel back panels

M O D I F I C A T I O N S

See pages 74-78

Secure online ordering 24/7/365 from:

B & B electronics
MANUFACTURING COMPANY
www.bb-electronics.com



Empire Series: Free Standing Single Door

A P P L I C A T I O N

- Designed to insulate and house electrical and electronic controls, instruments or components for indoor and outdoor applications
- Especially well suited for high temperature or corrosive environments
- Protects from dirt, dust, oil and water

S T A N D A R D S

- Construction meets NEMA/EEMAC Type 4, 4X specifications
- cUL 508 listed, Type 4, 4X

C O N S T R U C T I O N

- Durable, corrosion resistant fiberglass construction
- Soft, self-gripping gasket compresses over flange for tight seal and has one 3 point latching handle with padlocking provision
- Heavy-duty continuous 304 stainless steel hinge
- Fiberglass material has UV inhibitors which provide ideal protection from outdoor weathering
- Heavy duty lifting eyes
- Molded-in drip shield
- Fiberglass mounting strut installed on side and back wall

A C C E S S O R I E S

- Optional painted carbon steel back panels

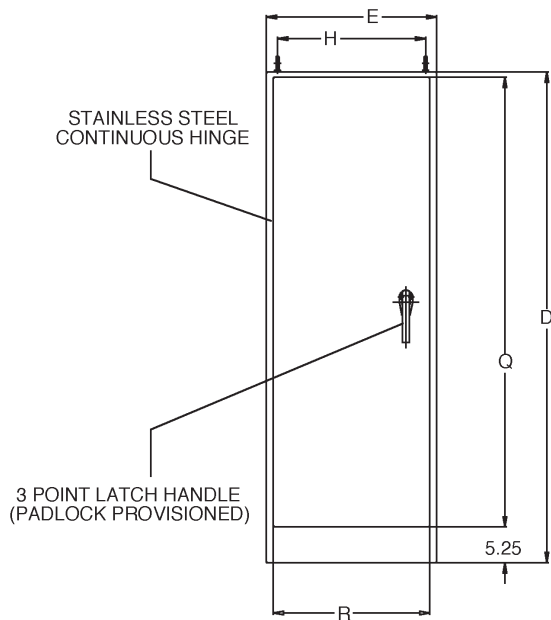
M O D I F I C A T I O N S

See pages 74-78

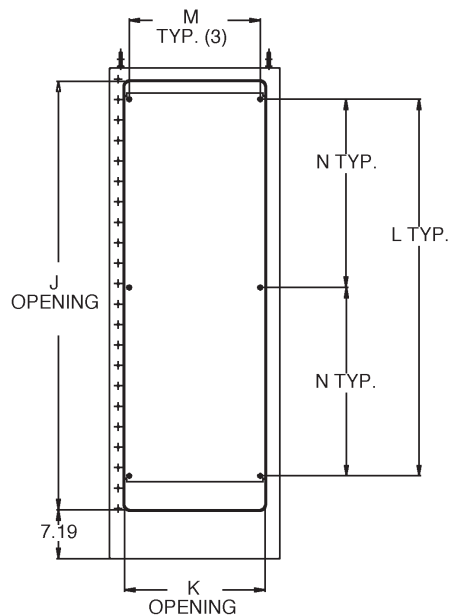
Secure online ordering 24/7/365 from

B & B electronics
MANUFACTURING COMPANY

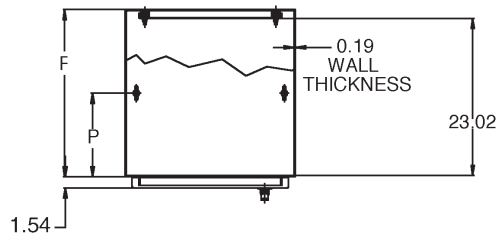
www.bb-electronics.com



FRONT VIEW WITH DOOR



FRONT VIEW WITH DOOR REMOVED



Part No.	D	E	F	H	J	K	L	M	N	P	Q	R	# PANEL MOUNT STUDS
AM722525FS	72.00	25.00	24.50	21.75	62.88	20.63	55.25	19.25	27.63	12.25	66.00	23.00	6

All dimensions in inches.

Optional Carbon Steel Back Panel		
Part No.	Height	Width
P7225CS	57.00	21.00

EMPIRE SERIES

Secure online ordering 24/7/365 from



International Headquarters: 707 Dayton Road - PO Box 1040 - Ottawa, IL 61350 USA
 815-433-5100 Fax 815-433-5104 www.bb-elec.com orders@bb-elec.com support@bb-elec.com
 European Headquarters: Westlink Commercial Park - Oranmore Co. Galway - Ireland
 +353 91 792444 Fax +353 91 792445 www.bb-europe.com orders@bb-europe.com support@bb-europe.com





Empire Series: Free Standing Double Door



A P P L I C A T I O N

- Designed to insulate and house electrical and electronic controls, instruments or components for indoor and outdoor applications
- Especially well suited for high temperature or corrosive environments
- Protects from dirt, dust, oil and water

S T A N D A R D S

- Construction meets NEMA/EEMAC Type 4, 4X specifications
- cUL 508 listed, Type 4, 4X

C O N S T R U C T I O N

- Durable, corrosion resistant fiberglass construction
- Flexible, self-gripping gasket compresses over flange for tight seal and has one 3 point latching handle with padlocking provision
- Heavy-duty continuous 304 stainless steel hinge
- Fiberglass material has UV inhibitors which provide ideal protection from outdoor weathering
- Heavy duty lifting eyes
- Molded-in drip shield
- Fiberglass mounting strut installed on side and back wall

A C C E S S O R I E S

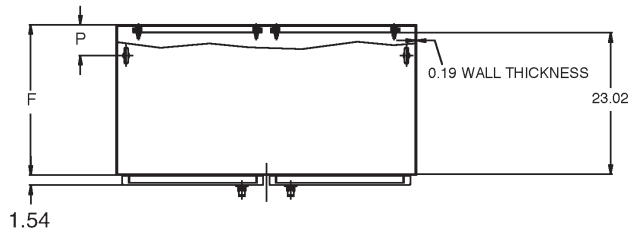
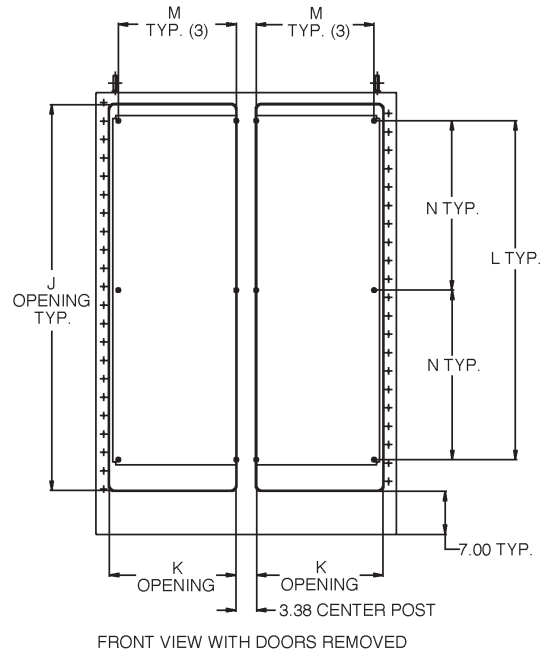
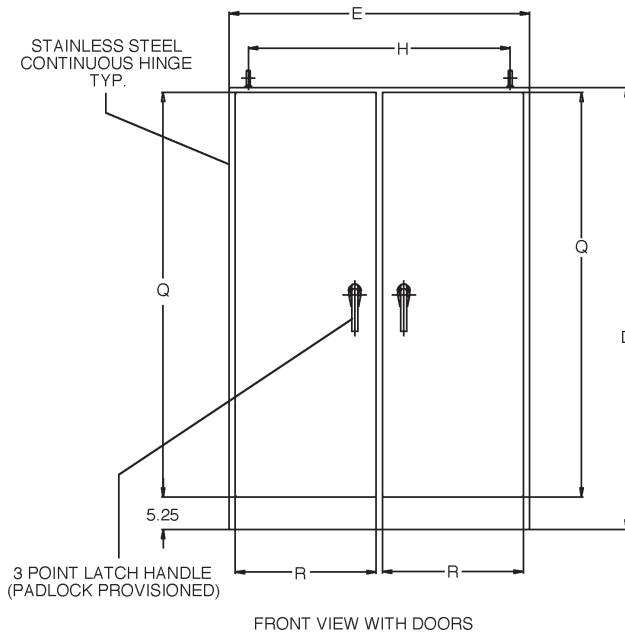
- Optional painted carbon steel back panels

M O D I F I C A T I O N S

See pages 74-78

Secure online ordering 24/7/365 from:

B & B electronics
MANUFACTURING COMPANY
www.bb-electronics.com



Part No.	D	E	F	H	J	K	L	M	N	P	Q	R	# PANEL MOUNT STUDS
AM724925DD	72.00	49.00	24.50	45.25	62.88	20.63	55.25	19.25	27.63	5.00	66.00	23.00	12

All dimensions in inches.

Optional Carbon Steel Back Panel		
Part No.	Height	Width
P7249CS	57.00	21.00

EMPIRE SERIES

Secure online ordering 24/7/365 from

B & B electronics
MANUFACTURING COMPANY

International Headquarters: 707 Dayton Road - PO Box 1040 - Ottawa, IL 61350 USA
815-433-5100 Fax 815-433-5104 www.bb-elec.com orders@bb-elec.com support@bb-elec.com

European Headquarters: Westlink Commercial Park - Oranmore Co. Galway - Ireland
+353 91 792444 Fax +353 91 792445 www.bb-europe.com orders@bb-europe.com support@bb-europe.com

