

## **AM Series JIC Size Junction Boxes: Lift-Off Screw Cover**

### **A P P L I C A T I O N**

- Designed to insulate and protect controls and components in both indoor and outdoor applications
- Especially well suited for high temperature or corrosive environments
- Protects from dirt, dust, oil and water
- For use with industrial control equipment in ordinary locations

### **S T A N D A R D S**

- Construction meets NEMA/EEMAC Type 4, 4X, 12 specifications
- UL 508 listed, Type 1, 2, 3, 3R, 4, 4X, 12, 13
- CSA certified LR 89590 for use with industrial control equipment CSA Enc. 1, 2, 3, 4, 4X, 12, 13

### **C O N S T R U C T I O N**

- Strong, molded fiberglass reinforced polyester construction with matching flat cover
- 304 stainless steel captive cover screws
- Gasket made of closed cell neoprene cord encased in a continuous channel
- 304 stainless steel wall mounting feet with 10-32 stainless steel screws included
- 10-32 threaded inserts are installed for optional back panel
- JIC sizing
- Fiberglass material is easily punched, drilled or sawed
- UV stabilized for outdoor use

### **A C C E S S O R I E S**

- Optional painted carbon steel back panels (See table on pages 64-65.)
- Optional aluminum back panels (See table on pages 64-65.)

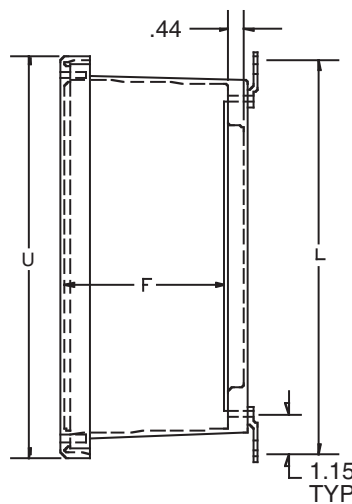
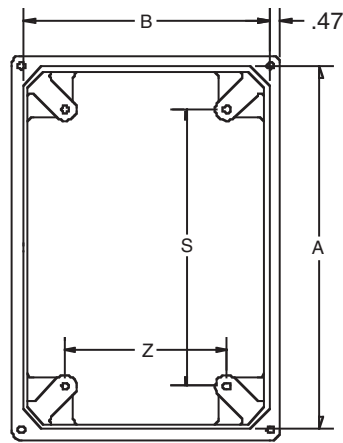
### **M O D I F I C A T I O N S**

- Custom holes and cutouts
- Custom size polycarbonate viewing windows
- Hinge installed on short side
- Molded-in color matches
- EMI/RFI shielding
- Factory-supplied silk screening

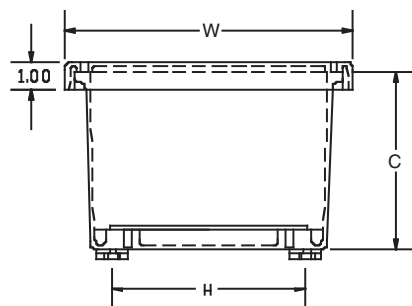
Secure online  
ordering  
24/7/365 from **B & B electronics**  
MANUFACTURING COMPANY

International Headquarters: 707 Dayton Road - PO Box 1040 - Ottawa, IL 61350 USA  
815-433-5100 Fax 815-433-5104 [www.bb-elec.com](http://www.bb-elec.com) [orders@bb-elec.com](mailto:orders@bb-elec.com) [support@bb-elec.com](mailto:support@bb-elec.com)

European Headquarters: Westlink Commercial Park - Oranmore Co. Galway - Ireland  
+353 91 792444 Fax +353 91 792445 [www.bb-europe.com](http://www.bb-europe.com) [orders@bb-europe.com](mailto:orders@bb-europe.com) [support@bb-europe.com](mailto:support@bb-europe.com)



Note: Cover removed for clarity



Nominal 1/8" wall thickness

Part No.	Box Size			F	Centers				Cover Dim.	
	A	B	C		H	S	Z	L	U	W
AM664	6.10	6.10	4.18	3.76	5.01	4.25	4.25	7.32	7.69	7.69
AM864	8.00	6.12	4.13	3.68	5.01	6.25	4.25	9.19	9.59	7.71
AM1084	10.14	8.26	4.13	3.68	7.01	8.25	6.25	11.19	11.77	9.90
AM1086	10.13	8.26	6.13	5.68	7.01	8.25	6.25	11.19	11.77	9.90
AM1206	12.13	10.26	6.13	5.68	9.01	10.25	8.25	13.19	13.77	11.90
AM1426	14.13	12.26	6.13	5.68	11.01	12.25	10.25	15.19	15.73	13.85
AM1648	16.27	14.40	8.13	7.68	13.01	14.25	12.25	17.19	17.87	15.99
AM1868	18.40	16.40	8.13	7.68	14.97	16.25	14.25	19.28	20.00	18.00
AM2068	20.00	16.00	8.13	7.68	14.54	17.81	13.81	20.84	21.59	17.59

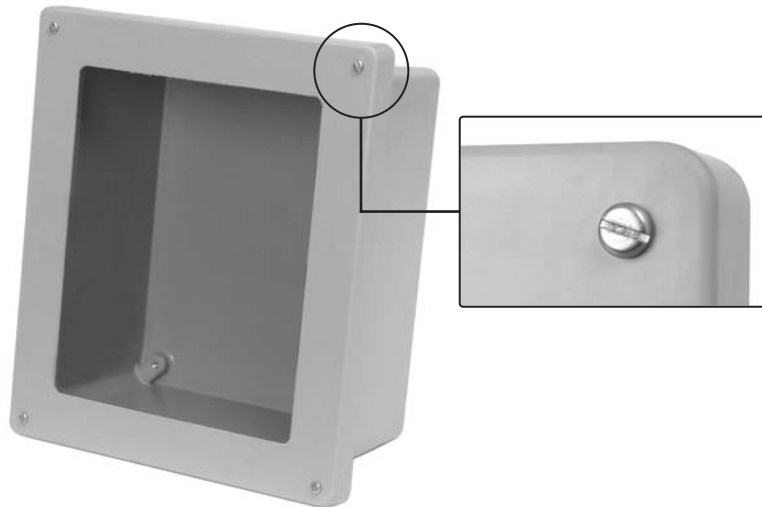
All dimensions in inches.

Secure online ordering 24/7/365 from **B & B electronics** MANUFACTURING COMPANY

International Headquarters: 707 Dayton Road - PO Box 1040 - Ottawa, IL 61350 USA  
815-433-5100 Fax 815-433-5104 [www.bb-elec.com](http://www.bb-elec.com) [orders@bb-elec.com](mailto:orders@bb-elec.com) [support@bb-elec.com](mailto:support@bb-elec.com)

European Headquarters: Westlink Commercial Park - Oranmore Co. Galway - Ireland  
+353 91 792444 Fax +353 91 792445 [www.bb-europe.com](http://www.bb-europe.com) [orders@bb-europe.com](mailto:orders@bb-europe.com) [support@bb-europe.com](mailto:support@bb-europe.com)





## **AM Series JIC Size Junction Boxes: Lift-Off Screw Cover With Window**

### **A P P L I C A T I O N**

- Designed to insulate and house electrical and electronic controls, instruments or components for indoor and outdoor applications
- Especially well suited for high temperature or corrosive environments
- Protects from dirt, dust, oil and water
- For use with industrial control equipment in ordinary locations
- Window unit provides viewing area for instrumentation or equipment

### **S T A N D A R D S**

- Construction meets NEMA/EEMAC Type 4, 4X, 12 specifications
- UL 508 listed, Type 1, 2, 3, 3R, 4, 4X, 12, 13
- CSA certified LR 89590 for use with industrial control equipment CSA Enc. 1, 2, 3, 4, 4X, 12, 13

### **C O N S T R U C T I O N**

- Strong, molded fiberglass reinforced polyester construction with matching flat cover
- UV resistant polycarbonate viewing window
- 304 stainless steel captive cover screws
- Gasket made of closed cell neoprene cord encased in a continuous channel
- 304 stainless steel wall mounting feet with 10-32 stainless steel screws included
- 10-32 threaded inserts are installed for optional back panel
- JIC sizing
- Fiberglass material is easily punched, drilled or sawed
- UV stabilized for outdoor use

### **A C C E S S O R I E S**

- Optional painted carbon steel back panels (See table on pages 64-65.)
- Optional aluminum back panels (See table on pages 64-65.)

### **M O D I F I C A T I O N S**

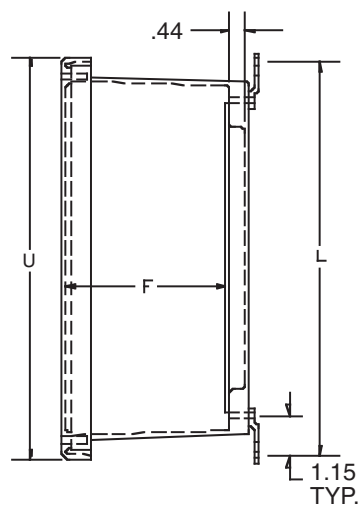
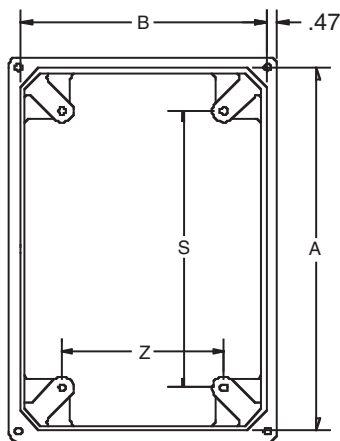
- Custom holes and cutouts
- Custom size polycarbonate viewing windows
- Molded-in color matches
- Hinge installed on short side
- EMI/RFI shielding
- Factory-supplied silk screening

Secure online  
ordering  
24/7/365 from

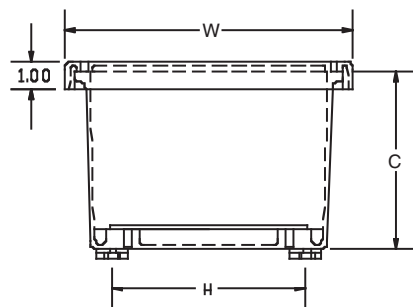
**B & B** electronics  
MANUFACTURING COMPANY

International Headquarters: 707 Dayton Road - PO Box 1040 - Ottawa, IL 61350 USA  
815-433-5100 Fax 815-433-5104 [www.bb-elec.com](http://www.bb-elec.com) [orders@bb-elec.com](mailto:orders@bb-elec.com) [support@bb-elec.com](mailto:support@bb-elec.com)

European Headquarters: Westlink Commercial Park - Oranmore Co. Galway - Ireland  
+353 91 792444 Fax +353 91 792445 [www.bb-europe.com](http://www.bb-europe.com) [orders@bb-europe.com](mailto:orders@bb-europe.com) [support@bb-europe.com](mailto:support@bb-europe.com)



Note: Cover removed for clarity

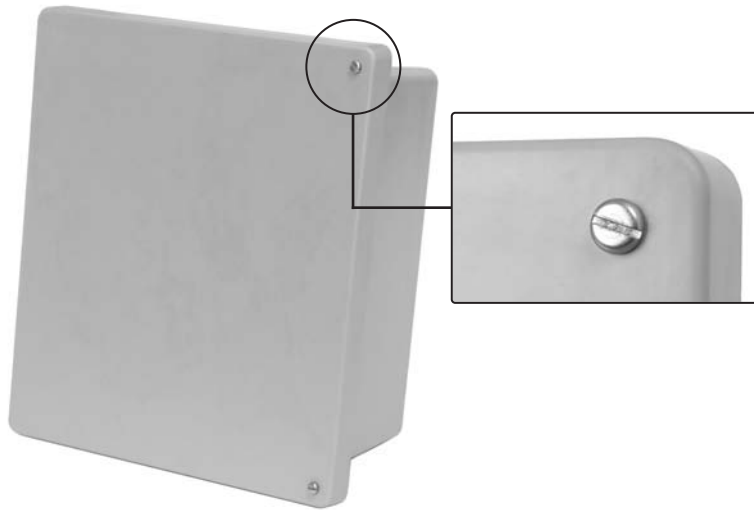


Nominal 1/8" wall thickness

Part No.	Box Size			Centers				Cover Dim.			Win. Dim.
	A	B	C	F	H	S	Z	L	U	W	
AM664W	6.10	6.10	4.18	3.67	5.01	4.25	4.25	7.32	7.69	7.69	4.25 x 4.25
AM864W	8.00	6.12	4.13	3.59	5.01	6.25	4.25	9.19	9.59	7.71	4.25 x 6.25
AM1084W	10.13	8.26	4.13	3.68	7.01	8.25	6.25	11.19	11.77	9.90	6.50 x 8.38
AM1086W	10.13	8.26	6.13	5.59	7.01	8.25	6.25	11.19	11.77	9.90	6.50 x 8.38
AM1206W	12.13	10.26	6.13	5.59	9.01	10.25	8.25	13.19	13.77	11.90	8.50 x 10.38
AM1426W	14.13	12.26	6.13	5.59	11.01	12.25	10.25	15.19	15.73	13.85	10.50 x 12.38
AM1648W	16.27	14.40	8.13	7.59	13.01	14.25	12.25	17.19	17.87	15.99	11.00 x 13.00
AM1868W	18.40	16.40	8.13	7.59	14.97	16.25	14.25	19.28	20.00	18.00	12.00 x 14.00
AM2068W	20.00	16.00	8.13	7.59	14.54	17.81	13.81	20.84	21.59	17.59	11.00 x 15.00

All dimensions in inches.





## **AM Series JIC Size Junction Boxes: Hinged Screw Cover**

### **APPLICATION**

- Designed to insulate and house electrical and electronic controls, instruments or components for indoor and outdoor applications
- Especially well suited for high temperature or corrosive environments
- Protects from dirt, dust, oil and water
- For use with industrial control equipment in ordinary locations

### **STANDARDS**

- Construction meets NEMA/EEMAC Type 4, 4X, 12 specifications
- UL 508 listed, Type 1, 2, 3, 3R, 4, 4X, 12, 13
- CSA certified LR 89590 for use with industrial control equipment CSA Enc. 1, 2, 3, 4, 4X, 12, 13

### **CONSTRUCTION**

- Strong, molded fiberglass reinforced polyester construction with matching flat cover
- 304 stainless steel captive cover screws
- Continuous stainless steel hinge
- Gasket made of closed cell neoprene cord encased in a continuous channel
- 304 stainless steel wall mounting feet with 10-32 stainless steel screws included
- 10-32 threaded inserts are installed for optional back panel
- JIC sizing
- Fiberglass material is easily punched, drilled or sawed
- UV stabilized for outdoor use

### **ACCESSORIES**

- Optional painted carbon steel back panels (See table on pages 64-65.)
- Optional aluminum back panels (See table on pages 64-65.)

### **MODIFICATIONS**

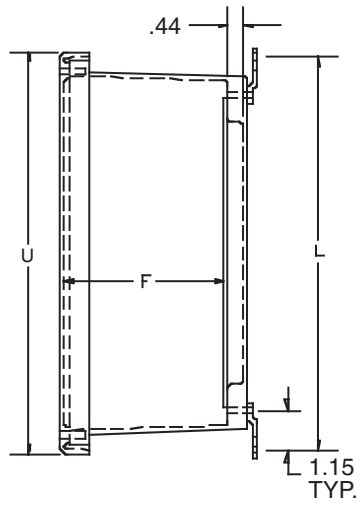
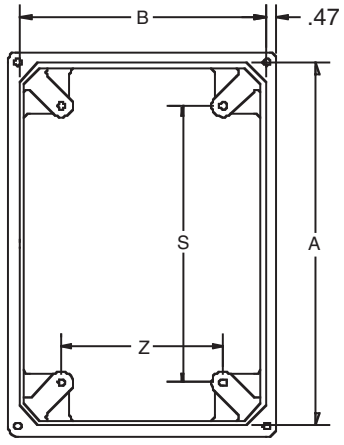
- Custom holes and cutouts
- Custom size polycarbonate viewing windows
- Molded-in color matches
- Hinge installed on short side
- EMI/RFI shielding
- Factory-supplied silk screening

Secure online  
ordering  
24/7/365 from

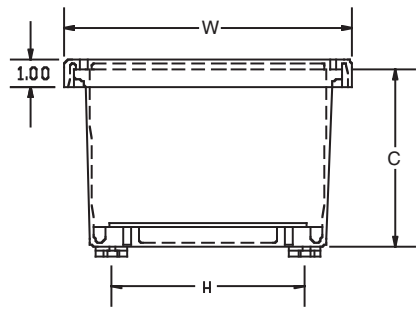
**B & B** electronics  
MANUFACTURING COMPANY

International Headquarters: 707 Dayton Road - PO Box 1040 - Ottawa, IL 61350 USA  
815-433-5100 Fax 815-433-5104 [www.bb-elec.com](http://www.bb-elec.com) [orders@bb-elec.com](mailto:orders@bb-elec.com) [support@bb-elec.com](mailto:support@bb-elec.com)

European Headquarters: Westlink Commercial Park - Oranmore Co. Galway - Ireland  
+353 91 792444 Fax +353 91 792445 [www.bb-europe.com](http://www.bb-europe.com) [orders@bb-europe.com](mailto:orders@bb-europe.com) [support@bb-europe.com](mailto:support@bb-europe.com)



Note: Cover removed for clarity

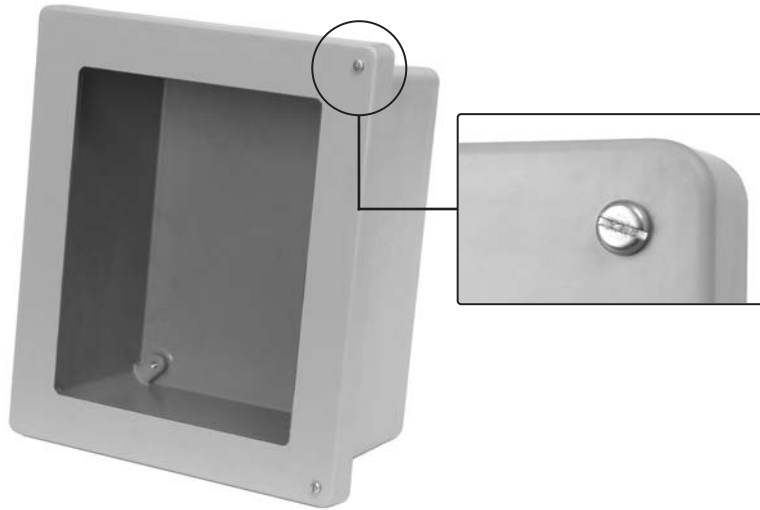


Nominal 1/8" wall thickness

Part No.	Box Size			Centers				Cover Dim.		
	A	B	C	F	H	S	Z	L	U	W
AM664H	6.10	6.10	4.18	3.76	5.01	4.25	4.25	7.32	7.69	7.69
AM864H	8.00	6.12	4.13	3.68	5.01	6.25	4.25	9.19	9.59	7.71
AM1084H	10.13	8.26	4.13	3.68	7.01	8.25	6.25	11.19	11.77	9.90
AM1086H	10.13	8.26	6.13	5.68	7.01	8.25	6.25	11.19	11.77	9.90
AM1206H	12.13	10.26	6.13	5.68	9.01	10.25	8.25	13.19	13.77	11.90
AM1426H	14.13	12.26	6.13	5.68	11.01	12.25	10.25	15.19	15.73	13.85
AM1648H	16.27	14.40	8.13	7.68	13.01	14.25	12.25	17.19	17.87	15.99
AM1868H	18.40	16.40	8.13	7.68	14.97	16.25	14.25	19.28	20.00	18.00
AM2068H	20.00	16.00	8.13	7.68	14.54	17.81	13.81	20.84	21.59	17.59

All dimensions in inches.





## **AM Series JIC Size Junction Boxes: Hinged Screw Cover With Window**

### **A P P L I C A T I O N**

- Designed to insulate and house electrical and electronic controls, instruments or components for indoor and outdoor applications
- Especially well suited for high temperature or corrosive environments
- Protects from dirt, dust, oil and water
- Window unit provides viewing area for instrumentation or equipment

### **S T A N D A R D S**

- Construction meets NEMA/EEMAC Type 4, 4X, 12 specifications
- UL 508 listed, Type 1, 2, 3, 3R, 4, 4X, 12, 13
- CSA certified LR 89590 for use with industrial control equipment CSA Enc. 1, 2, 3, 4, 4X, 12, 13

### **C O N S T R U C T I O N**

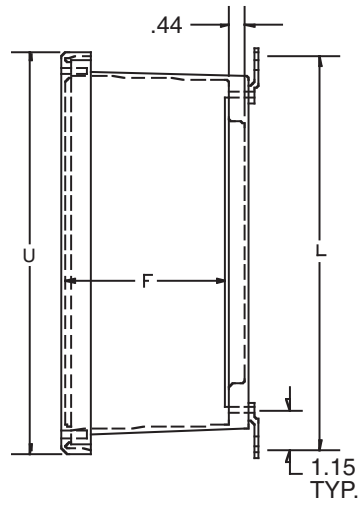
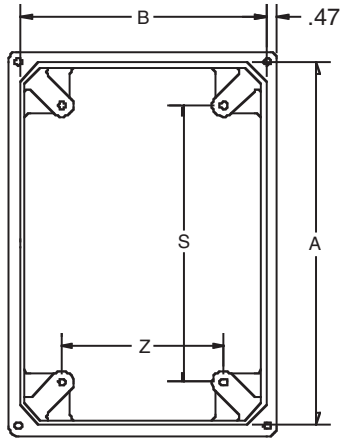
- Strong, molded fiberglass reinforced polyester construction with matching flat cover
- UV resistant polycarbonate viewing window
- 304 stainless steel captive cover screws
- Continuous stainless steel hinge
- Gasket made of closed cell neoprene cord encased in a continuous channel
- 304 stainless steel wall mounting feet with 10-32 stainless steel screws included
- 10-32 threaded inserts are installed for optional back panel
- JIC sizing
- Fiberglass material is easily punched, drilled or sawed
- UV stabilized for outdoor use

### **A C C E S S O R I E S**

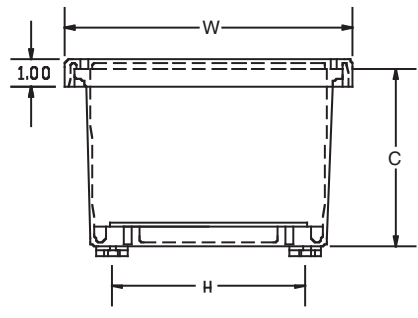
- Optional painted carbon steel back panels (See table on pages 64-65.)
- Optional aluminum back panels (See table on pages 64-65.)

### **M O D I F I C A T I O N S**

- Custom holes and cutouts
- Custom size polycarbonate viewing windows
- Hinge installed on short side
- Molded-in color matches
- EMI/RFI shielding
- Factory-supplied silk screening



Note: Cover removed for clarity



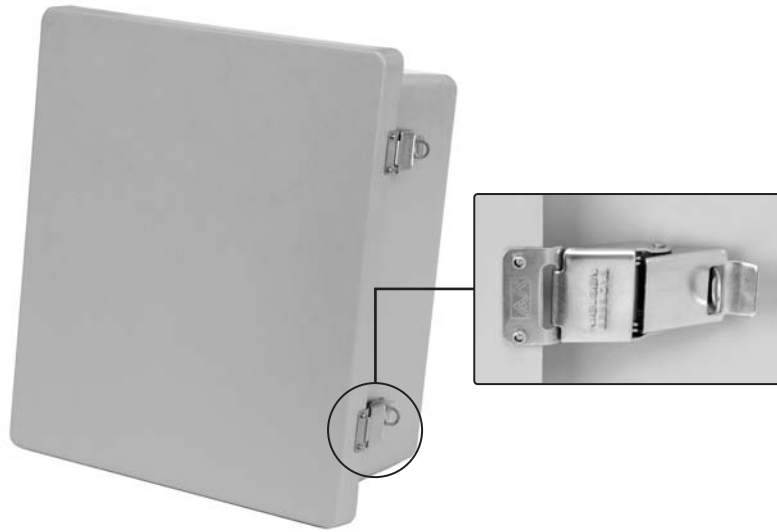
Nominal 1/8" wall thickness

Part No.	Box Size			Centers				Cover Dim.		Win. Dim.	
	A	B	C	F	H	S	Z	L	U		W
AM664HW	6.10	6.10	4.18	3.67	5.01	4.25	4.25	7.32	7.69	7.69	4.25 x 4.25
AM864HW	8.00	6.12	4.13	3.59	5.01	6.25	4.25	9.19	9.59	7.71	4.25 x 6.25
AM1084HW	10.13	8.26	4.13	3.68	7.01	8.25	6.25	11.19	11.77	9.90	6.50 x 8.38
AM1086HW	10.13	8.26	6.13	5.59	7.01	8.25	6.25	11.19	11.77	9.90	6.50 x 8.38
AM1206HW	12.13	10.26	6.13	5.59	9.01	10.25	8.25	13.19	13.77	11.90	8.50 x 10.38
AM1426HW	14.13	12.26	6.13	5.59	11.01	12.25	10.25	15.19	15.73	13.85	10.50 x 12.38
AM1648HW	16.27	14.40	8.13	7.59	13.01	14.25	12.25	17.19	17.87	15.99	11.00 x 13.00
AM1868HW	18.40	16.40	8.13	7.59	14.97	16.25	14.25	19.28	20.00	18.00	12.00 x 14.00
AM2068HW	20.00	16.00	8.13	7.59	14.54	17.81	13.81	20.84	21.59	17.59	11.00 x 15.00

All dimensions in inches.

*Secure online ordering 24/7/365 from*  
**B & B electronics**  
 MANUFACTURING COMPANY  
 International Headquarters: 707 Dayton Road - PO Box 1040 - Ottawa, IL 61350 USA  
 815-433-5100 Fax 815-433-5104 [www.bb-elec.com](http://www.bb-elec.com) [orders@bb-elec.com](mailto:orders@bb-elec.com) [support@bb-elec.com](mailto:support@bb-elec.com)  
 European Headquarters: Westlink Commercial Park - Oranmore Co. Galway - Ireland  
 +353 91 792444 Fax +353 91 792445 [www.bb-europe.com](http://www.bb-europe.com) [orders@bb-europe.com](mailto:orders@bb-europe.com) [support@bb-europe.com](mailto:support@bb-europe.com)





## ***AM Series JIC Size Junction Boxes: Snap Latch Hinged Cover***

### **A P P L I C A T I O N**

- Designed to insulate and house electrical and electronic controls, instruments or components for indoor and outdoor applications
- Especially well suited for high temperature or corrosive environments
- Protects from dirt, dust, oil and water

### **S T A N D A R D S**

- Construction meets NEMA/EEMAC Type 4, 4X, 12 specifications
- UL 508 listed, Type 1, 2, 3, 3R, 4, 4X, 12, 13
- CSA certified LR 89590 for use with industrial control equipment CSA Enc. 1, 2, 3, 4, 4X, 12, 13

### **C O N S T R U C T I O N**

- Strong, molded fiberglass reinforced polyester construction with matching flat cover
- 304 stainless steel snap latches feature padlock hasp
- Continuous stainless steel hinge
- Gasket made of closed cell neoprene cord encased in a continuous channel
- 304 stainless steel wall mounting feet with 10-32 stainless steel screws included
- 10-32 threaded inserts are installed for optional back panel
- JIC sizing
- Fiberglass material is easily punched, drilled or sawed
- UV stabilized for outdoor use

### **A C C E S S O R I E S**

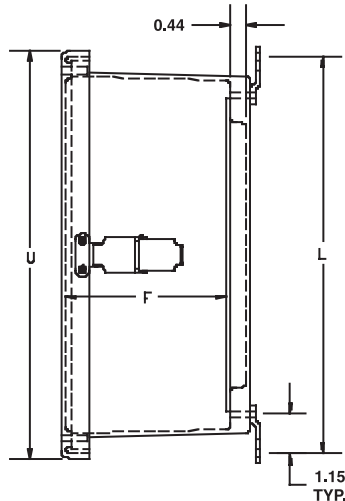
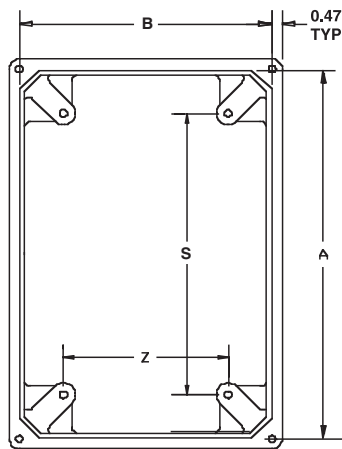
- Optional painted carbon steel back panels (See table on pages 64-65.)
- Optional aluminum back panels (See table on pages 64-65.)

### **M O D I F I C A T I O N S**

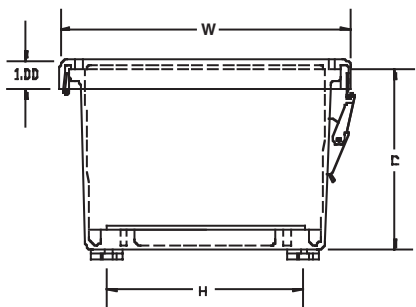
- Custom holes and cutouts
- Custom size polycarbonate viewing windows
- Molded-in color matches
- Hinge installed on short side
- EMI/RFI shielding
- Factory-supplied silk screening

***Secure online ordering 24/7/365 from:***

**B & B electronics**  
MANUFACTURING COMPANY  
[www.bb-electronics.com](http://www.bb-electronics.com)



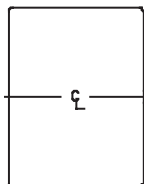
Note: Cover removed for clarity



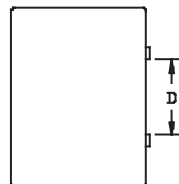
Nom. 1/8" wall thickness

**Latch Locations**

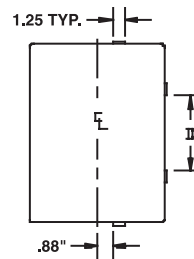
For use on  
6x6x4 8x6x4  
10x8x4  
10x8x6



For use on  
12x10x6 D=6.75  
14x12x6 D=7.25  
16x14x8 D=7.25



For use on  
18x16x8 D=5.25  
20x16x8 D=9.25



Part No.	Box Size			Centers					Cover Dim.	
	A	B	C	F	H	S	Z	L	U	W
AM664L	6.10	6.10	4.18	3.76	5.01	4.25	4.25	7.32	7.69	7.69
AM864L	8.00	6.12	4.13	3.68	5.01	6.25	4.25	9.19	9.59	7.71
AM1084L	10.13	8.26	4.13	3.68	7.01	8.25	6.25	11.19	11.77	9.90
AM1086L	10.13	8.26	6.13	5.68	7.01	8.25	6.25	11.19	11.77	9.90
AM1206L	12.13	10.26	6.13	5.68	9.01	10.25	8.25	13.19	13.77	11.90
AM1426L	14.13	12.26	6.13	5.68	11.01	12.25	10.25	15.19	15.73	13.85
AM1648L	16.27	14.40	8.13	7.68	13.01	14.25	12.25	17.19	17.87	15.99
AM1868L	18.40	16.40	8.13	7.68	14.97	16.25	14.25	19.28	20.00	18.00
AM2068L	20.00	16.00	8.13	7.68	14.54	17.81	13.81	20.84	21.59	17.59

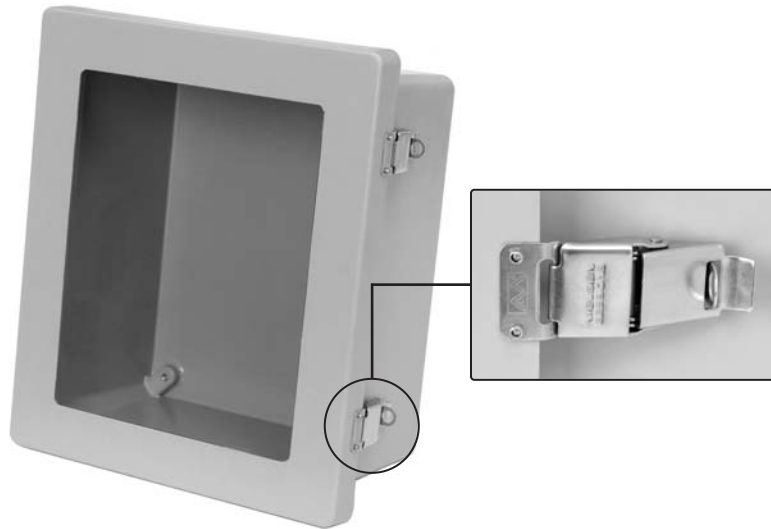
All dimensions in inches.

Secure online ordering 24/7/365 from **B&B electronics** MANUFACTURING COMPANY

International Headquarters: 707 Dayton Road - PO Box 1040 - Ottawa, IL 61350 USA  
815-433-5100 Fax 815-433-5104 www.bb-elec.com orders@bb-elec.com support@bb-elec.com

European Headquarters: Westlink Commercial Park - Oranmore Co. Galway - Ireland  
+353 91 792444 Fax +353 91 792445 www.bb-europe.com orders@bb-europe.com support@bb-europe.com





## **AM Series JIC Size Junction Boxes: Snap Latch Hinged Cover With Window**

### **APPLICATION**

- Designed to insulate and house electrical and electronic controls, instruments or components for indoor and outdoor applications
- Especially well suited for high temperature or corrosive environments
- Protects from dirt, dust, oil and water
- Window unit provides viewing area for instrumentation or equipment

### **STANDARDS**

- Construction meets NEMA/EEMAC Type 4, 4X, 12 specifications
- UL 508 listed, Type 1, 2, 3, 3R, 4, 4X, 12, 13
- CSA certified LR 89590 for use with industrial control equipment CSA Enc. 1, 2, 3, 4, 4X, 12, 13

### **CONSTRUCTION**

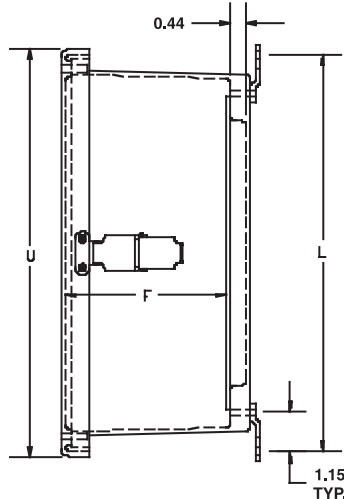
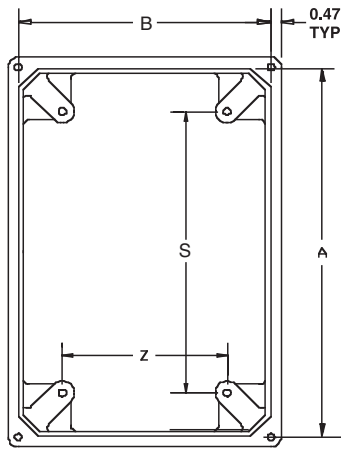
- Strong, molded fiberglass reinforced polyester construction with matching flat cover
- UV resistant polycarbonate viewing window
- 304 stainless steel snap latches feature padlock hasp
- Continuous stainless steel hinge
- Gasket made of closed cell neoprene cord encased in a continuous channel
- 304 stainless steel wall mounting feet with 10-32 stainless steel screws included
- 10-32 threaded inserts are installed for optional back panel
- JIC sizing
- Fiberglass material is easily punched, drilled or sawed
- UV stabilized for outdoor use

### **ACCESSORIES**

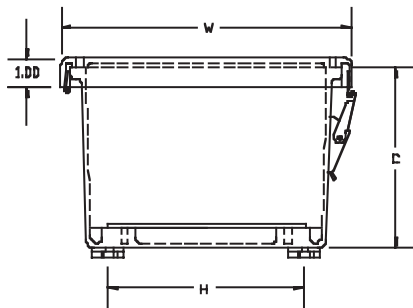
- Optional painted carbon steel back panels (See table on pages 64-65.)
- Optional aluminum back panels (See table on pages 64-65.)

### **MODIFICATIONS**

- Custom holes and cutouts
- Custom size polycarbonate viewing windows
- Molded-in color matches
- Hinge installed on short side
- EMI/RFI shielding
- Factory-supplied silk screening



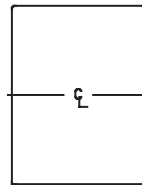
Note: Cover removed for clarity



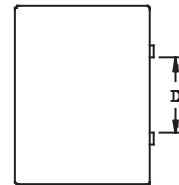
Nom. 1/8" wall thickness

**Latch Locations**

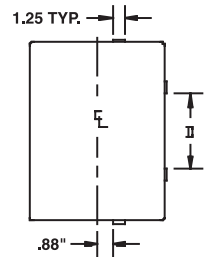
For use on  
6x6x4 8x6x4  
10x8x4  
10x8x6



For use on  
12x10x6 D=6.75  
14x12x6 D=7.25  
16x14x8 D=7.25



For use on  
18x16x8 D=5.25  
20x16x8 D=9.25



Part No.	Box Size			F	Centers				Cover Dim.		Win. Dim.
	A	B	C		H	S	Z	L	U	W	
AM664LW	6.10	6.10	4.18	3.67	5.01	4.25	4.25	7.32	7.69	7.69	4.25 x 4.25
AM864LW	8.00	6.12	4.13	3.59	5.01	6.25	4.25	9.19	9.59	7.71	4.25 x 6.25
AM1084LW	10.13	8.26	4.13	3.68	7.01	8.25	6.25	11.19	11.77	9.90	6.50 x 8.38
AM1086LW	10.13	8.26	6.13	5.59	7.01	8.25	6.25	11.19	11.77	9.90	6.50 x 8.38
AM1206LW	12.13	10.26	6.13	5.59	9.01	10.25	8.25	13.19	13.77	11.90	8.50 x 10.38
AM1426LW	14.13	12.26	6.13	5.59	11.01	12.25	10.25	15.19	15.73	13.85	10.50 x 12.38
AM1648LW	16.27	14.40	8.13	7.59	13.01	14.25	12.25	17.19	17.87	15.99	11.00 x 13.00
AM1868LW	18.40	16.40	8.13	7.59	14.97	16.25	14.25	19.28	20.00	18.00	12.00 x 14.00
AM2068LW	20.00	16.00	8.13	7.59	14.54	17.81	13.81	20.84	21.59	17.59	11.00 x 15.00

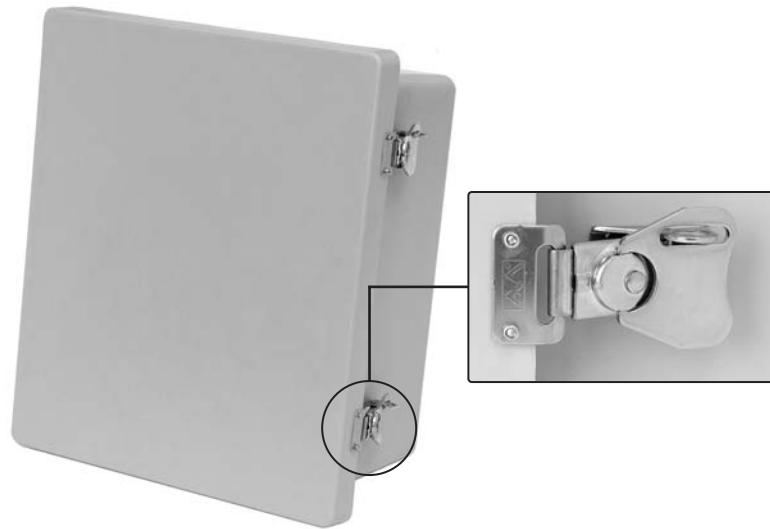
All dimensions in inches.

Secure online ordering 24/7/365 from **B&B electronics** MANUFACTURING COMPANY

International Headquarters: 707 Dayton Road - PO Box 1040 - Ottawa, IL 61350 USA  
815-433-5100 Fax 815-433-5104 www.bb-elec.com orders@bb-elec.com support@bb-elec.com

European Headquarters: Westlink Commercial Park - Oranmore Co. Galway - Ireland  
+353 91 792444 Fax +353 91 792445 www.bb-europe.com orders@bb-europe.com support@bb-europe.com





## ***AM Series JIC Size Junction Boxes: Twist Latch Hinged Cover***

### **APPLICATION**

- Designed to insulate and house electrical and electronic controls, instruments or components for indoor and outdoor applications
- Especially well suited for high temperature or corrosive environments
- Protects from dirt, dust, oil and water

### **STANDARDS**

- Construction meets NEMA/EEMAC Type 4, 4X, 12 specifications
- UL 508 listed, Type 1, 2, 3, 3R, 4, 4X, 12, 13
- CSA certified LR 89590 for use with industrial control equipment CSA Enc. 1, 2, 3, 4, 4X, 12, 13

### **CONSTRUCTION**

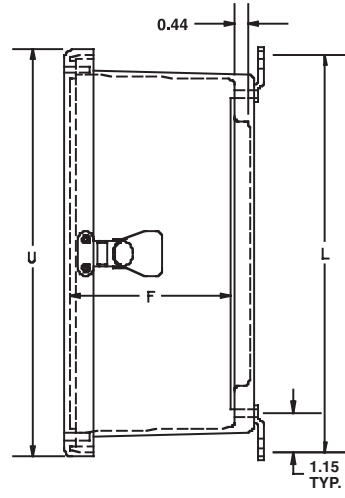
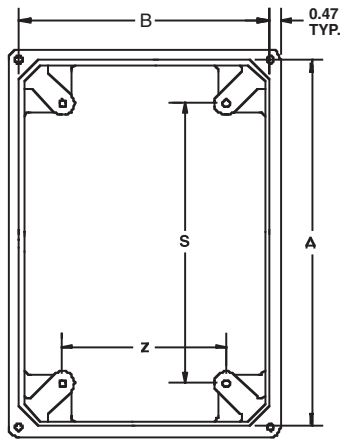
- Strong, molded fiberglass reinforced polyester construction with matching flat cover
- 304 stainless steel twist latches feature padlock hasp
- Continuous stainless steel hinge
- Gasket made of closed cell neoprene cord encased in a continuous channel
- 304 stainless steel wall mounting feet with 10-32 stainless steel screws included
- 10-32 threaded inserts are installed for optional back panel
- JIC sizing
- Fiberglass material is easily punched, drilled or sawed
- UV stabilized for outdoor use

### **ACCESSORIES**

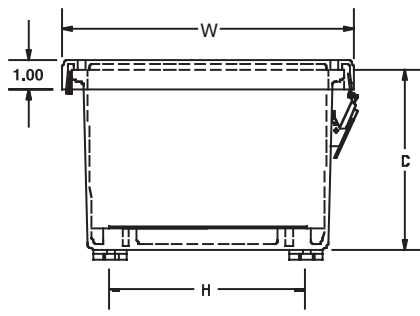
- Optional painted carbon steel back panels (See table on pages 64-65.)
- Optional aluminum back panels (See table on pages 64-65.)

### **MODIFICATIONS**

- Custom holes and cutouts
- Custom size polycarbonate viewing windows
- Molded-in color matches
- Hinge installed on short side
- EMI/RFI shielding
- Factory-supplied silk screening



Note: Cover removed for clarity



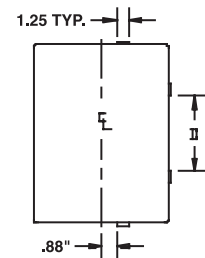
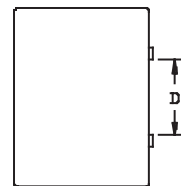
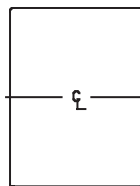
Nom. 1/8" wall thickness

**Latch Locations**

For use on  
6x6x4 8x6x4  
10x8x4  
10x8x6

For use on  
12x10x6 D=6.75  
14x12x6 D=7.25  
16x14x8 D=7.25

For use on  
18x16x8 D=5.25  
20x16x8 D=9.25



Part No.	Box Size			Centers					Cover Dim.	
	A	B	C	F	H	S	Z	L	U	W
AM664T	6.10	6.10	4.18	3.76	5.01	4.25	4.25	7.32	7.69	7.69
AM864T	8.00	6.12	4.13	3.68	5.01	6.25	4.25	9.19	9.59	7.71
AM1084T	10.13	8.26	4.13	3.68	7.01	8.25	6.25	11.19	11.77	9.90
AM1086T	10.13	8.26	6.13	5.68	7.01	8.25	6.25	11.19	11.77	9.90
AM1206T	12.13	10.26	6.13	5.68	9.01	10.25	8.25	13.19	13.77	11.90
AM1426T	14.13	12.26	6.13	5.68	11.01	12.25	10.25	15.19	15.73	13.85
AM1648T	16.27	14.40	8.13	7.68	13.01	14.25	12.25	17.19	17.87	15.99
AM1868T	18.40	16.40	8.13	7.68	14.97	16.25	14.25	19.28	20.00	18.00
AM2068T	20.00	16.00	8.13	7.68	14.54	17.81	13.81	20.84	21.59	17.59

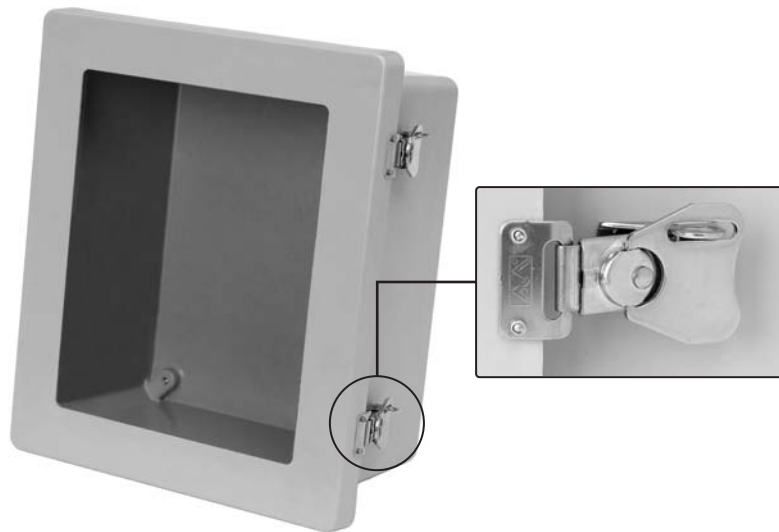
All dimensions in inches.

Secure online ordering 24/7/365 from **B & B electronics** MANUFACTURING COMPANY

International Headquarters: 707 Dayton Road - PO Box 1040 - Ottawa, IL 61350 USA  
815-433-5100 Fax 815-433-5104 www.bb-elec.com orders@bb-elec.com support@bb-elec.com

European Headquarters: Westlink Commercial Park - Oranmore Co. Galway - Ireland  
+353 91 792444 Fax +353 91 792445 www.bb-europe.com orders@bb-europe.com support@bb-europe.com





## **AM Series JIC Size Junction Boxes: Twist Latch Hinged Cover With Window**

### **APPLICATION**

- Designed to insulate and house electrical and electronic controls, instruments or components for indoor and outdoor applications
- Especially well suited for high temperature or corrosive environments
- Protects from dirt, dust, oil and water
- Window unit provides viewing area for instrumentation or equipment

### **STANDARDS**

- Construction meets NEMA/EEMAC Type 4, 4X, 12 specifications
- UL 508 listed, Type 1, 2, 3, 3R, 4, 4X, 12, 13
- CSA certified LR 89590 for use with industrial control equipment CSA Enc. 1, 2, 3, 4, 4X, 12, 13

### **CONSTRUCTION**

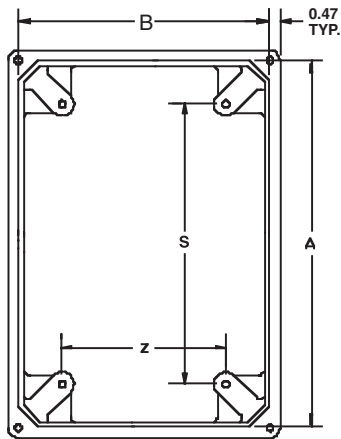
- Strong, molded fiberglass reinforced polyester construction with matching flat cover
- UV resistant polycarbonate viewing window
- 304 stainless steel twist latches feature padlock hasp
- Continuous stainless steel hinge
- Gasket made of closed cell neoprene cord encased in a continuous channel
- 304 stainless steel wall mounting feet with 10-32 stainless steel screws included
- 10-32 threaded inserts are installed for optional back panel
- JIC sizing
- Fiberglass material is easily punched, drilled or sawed
- UV stabilized for outdoor use

### **ACCESSORIES**

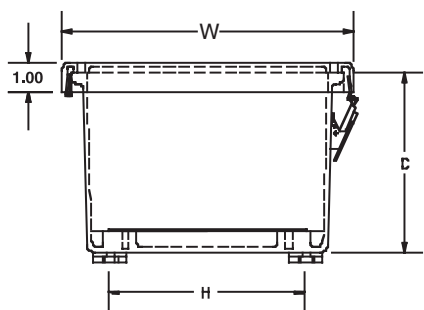
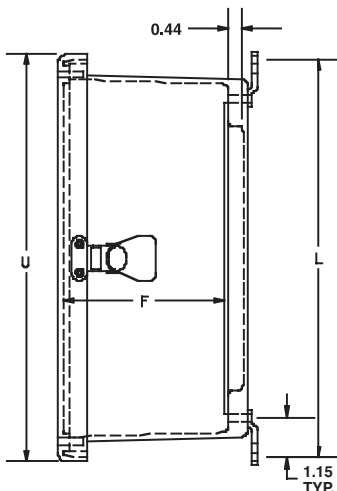
- Optional painted carbon steel back panels (See table on pages 64-65.)
- Optional aluminum back panels (See table on pages 64-65.)

### **MODIFICATIONS**

- Custom holes and cutouts
- Custom size polycarbonate viewing windows
- Molded-in color matches
- Hinge installed on short side
- EMI/RFI shielding
- Factory-supplied silk screening



Note: Cover removed for clarity



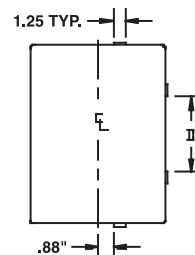
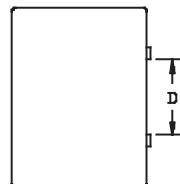
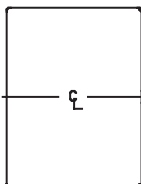
Nom. 1/8" wall thickness

**Latch Locations**

For use on  
6x6x4 8x6x4  
10x8x4  
10x8x6

For use on  
12x10x6 D=6.75  
14x12x6 D=7.25  
16x14x8 D=7.25

For use on  
18x16x8 D=5.25  
20x16x8 D=9.25



Part No.	Box Size			Centers				Cover Dim.		Win. Dim.	
	A	B	C	F	H	S	Z	L	U		W
AM664TW	6.10	6.10	4.18	3.67	5.01	4.25	4.25	7.32	7.69	7.69	4.25 x 4.25
AM864TW	8.00	6.12	4.13	3.59	5.01	6.25	4.25	9.19	9.59	7.71	4.25 x 6.25
AM1084TW	10.13	8.26	4.13	3.68	7.01	8.25	6.25	11.19	11.73	9.85	6.50 x 8.38
AM1086TW	10.13	8.26	6.13	5.59	7.01	8.25	6.25	11.19	11.73	9.85	6.50 x 8.38
AM1206TW	12.13	10.26	6.13	5.59	9.01	10.25	8.25	13.19	13.73	11.85	8.50 x 10.38
AM1426TW	14.13	12.26	6.13	5.59	11.01	12.25	10.25	15.19	15.73	13.85	10.50 x 12.38
AM1648TW	16.27	14.40	8.13	7.59	13.01	14.25	12.25	17.19	17.87	15.99	11.00 x 13.00
AM1868TW	18.40	16.40	8.13	7.59	14.97	16.25	14.25	19.28	20.00	18.00	12.00 x 14.00
AM2068TW	20.00	16.00	8.13	7.59	14.54	17.81	13.81	20.84	21.59	17.59	11.00 x 15.00

All dimensions in inches.

Secure online ordering 24/7/365 from **B&B electronics** MANUFACTURING COMPANY

International Headquarters: 707 Dayton Road - PO Box 1040 - Ottawa, IL 61350 USA  
815-433-5100 Fax 815-433-5104 www.bb-elec.com orders@bb-elec.com support@bb-elec.com

European Headquarters: Westlink Commercial Park - Oranmore Co. Galway - Ireland  
+353 91 792444 Fax +353 91 792445 www.bb-europe.com orders@bb-europe.com support@bb-europe.com





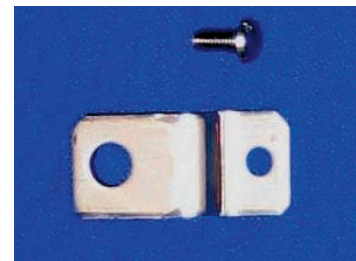
## AM-R Series

*The AM-R Series offers the same sizes and options as our AM series, with the added feature of a raised cover. The cover adds an additional 1 3/4" of depth to accommodate switches and other devices, and can be used with an optional hinged deadfront panel for maximum configuration flexibility within a single enclosure.*

AM-R Series enclosures insulate and protect controls and components in both indoor and outdoor applications, including high temperature and/or corrosive environments. Available in standard JIC sizes with a variety of latching options for any application.

### AM-R Series Features & Benefits

- Molded fiberglass reinforced polyester construction for durability
- Continuous stainless steel hinge
- Closed-cell neoprene gasket encased in continuous channel
- Raised cover for additional depth
- 304 stainless steel hardware and mounting feet
- Mounting panel inserts for optional back panel
- Optional hinged deadfront panels
- UV stabilized for outdoor use
- Continuous stainless steel hinge



Secure online  
ordering  
24/7/365 from

**B & B** electronics  
MANUFACTURING COMPANY

International Headquarters: 707 Dayton Road - PO Box 1040 - Ottawa, IL 61350 USA  
815-433-5100 Fax 815-433-5104 [www.bb-elec.com](http://www.bb-elec.com) [orders@bb-elec.com](mailto:orders@bb-elec.com) [support@bb-elec.com](mailto:support@bb-elec.com)

European Headquarters: Westlink Commercial Park - Oranmore Co. Galway - Ireland  
+353 91 792444 Fax +353 91 792445 [www.bb-europe.com](http://www.bb-europe.com) [orders@bb-europe.com](mailto:orders@bb-europe.com) [support@bb-europe.com](mailto:support@bb-europe.com)



**Suitable Applications**

- Electrical junctions
- Terminal wiring
- Electrical and electronic controls, instruments, components
- Housing pushbuttons, switches or other devices
- Other industrial control equipment

**AM-R Series Specifications**

- Non-corrosive
- Non-conductive
- Temperature-resistant
- Fire-resistant
- Rated NEMA 1, 2, 3, 3R, 4, 4X, 12, 13
- UL listed
- CSA certified

**Accessories**

- Back panels available in painted carbon steel or aluminum
- Aluminum hinged deadfront panel for configuration flexibility
- UV resistant polycarbonate viewing windows

**Modifications**

We are pleased to modify any of our standard products to fit your needs. We have the lowest volume requirements on custom work in the industry, and quick turnaround time.

We can modify any of our AM-R Series enclosures with:

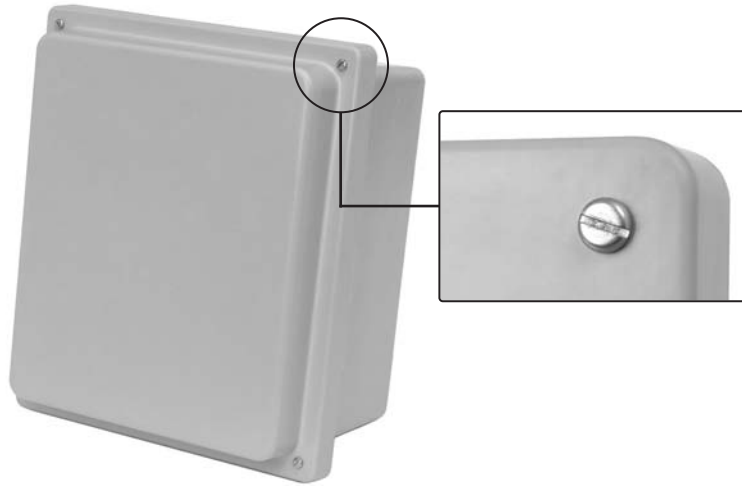
- Custom size holes and cutouts
- Custom size polycarbonate viewing windows
- Molded-in color matches
- Hinge installed on short side
- EMI/RFI shielding
- Factory-supplied silk screening



*For complete details on factory modifications including a modification request form, see pages 76-78.*

**Secure online ordering 24/7/365 from:**





## **AM-R Series JIC Size Junction Boxes: Lift-Off Screw Cover**

### **A P P L I C A T I O N**

- Designed to insulate and house electrical and electronic controls, instruments or components for indoor and outdoor applications
- Especially well suited for high temperature or corrosive environments
- Protects from dirt, dust, oil and water

### **S T A N D A R D S**

- Construction meets NEMA/EEMAC Type 4, 4X, 12 specifications
- UL 508 listed, Type 1, 2, 3, 3R, 4, 4X, 12, 13
- CSA certified LR 89590 for use with industrial control equipment CSA Enc. 1, 2, 3, 4, 4X, 12, 13

### **C O N S T R U C T I O N**

- Strong, molded fiberglass reinforced polyester construction with matching raised cover
- 304 stainless steel captive cover screws
- Gasket made of closed-cell neoprene cord encased in a continuous channel
- 304 stainless steel wall mounting feet with 10-32 stainless steel screws included
- 10-32 threaded inserts are installed for optional back panel
- JIC sizing
- Fiberglass material is easily punched, drilled or sawed
- UV stabilized for outdoor use

### **A C C E S S O R I E S**

- Optional painted carbon steel back panels (See table on pages 64-65.)
- Optional aluminum back panels (See table on pages 64-65.)
- Optional deadfront panel (See table on pages 64-65.)

### **M O D I F I C A T I O N S**

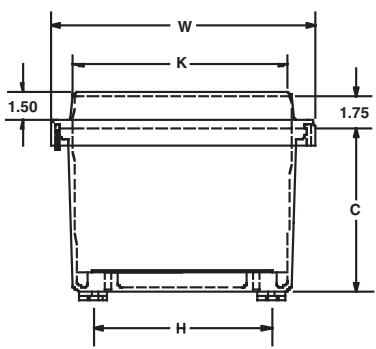
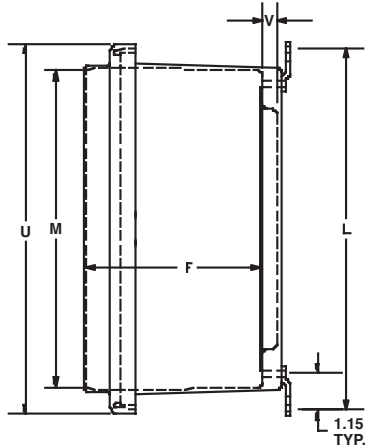
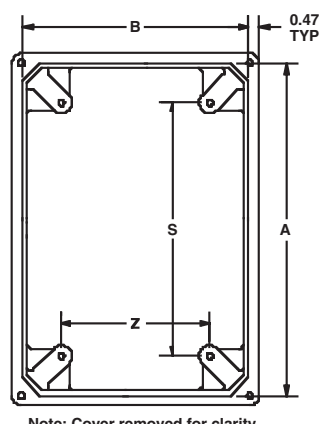
- Custom size holes and cutouts
- Custom size polycarbonate viewing windows
- Molded-in color matches
- Hinge installed on short side
- EMI/RFI shielding
- Factory-supplied silk screening

Secure online  
ordering  
24/7/365 from

**B & B** electronics  
MANUFACTURING COMPANY

International Headquarters: 707 Dayton Road - PO Box 1040 - Ottawa, IL 61350 USA  
815-433-5100 Fax 815-433-5104 [www.bb-elec.com](http://www.bb-elec.com) [orders@bb-elec.com](mailto:orders@bb-elec.com) [support@bb-elec.com](mailto:support@bb-elec.com)

European Headquarters: Westlink Commercial Park - Oranmore Co. Galway - Ireland  
+353 91 792444 Fax +353 91 792445 [www.bb-europe.com](http://www.bb-europe.com) [orders@bb-europe.com](mailto:orders@bb-europe.com) [support@bb-europe.com](mailto:support@bb-europe.com)



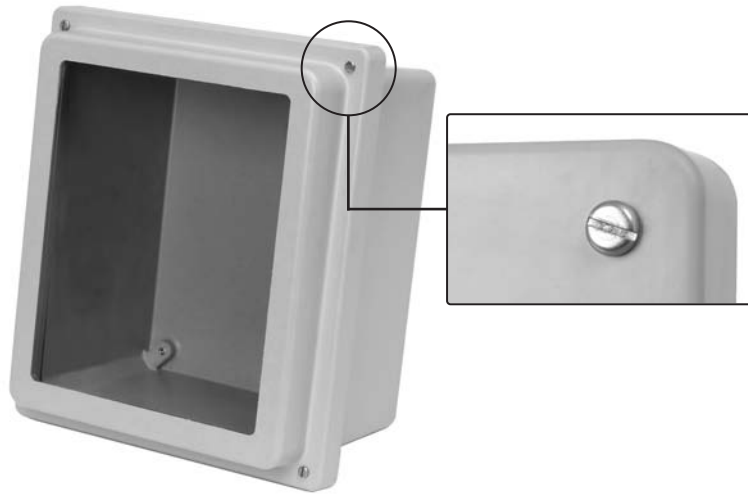
Nom. 1/8" wall thickness

Part No.	Box Size			Centers						Cover Dim.			
	A	B	C	V	F	H	S	Z	L	K	M	U	W
AM664R	6.10	6.10	4.18	0.44	5.26	5.01	4.25	4.25	7.32	6.08	6.08	7.69	7.69
AM864R	8.00	6.13	4.13	0.44	5.21	5.01	6.25	4.25	9.19	6.11	7.98	9.59	7.71
AM1084R	10.14	8.26	4.13	0.44	5.21	7.01	8.25	6.25	11.19	8.44	10.32	11.73	9.85
AM1086R	10.14	8.26	6.13	0.44	7.21	7.01	8.25	6.25	11.19	8.44	10.32	11.73	9.85
AM1206R	12.14	10.26	6.13	0.44	7.21	9.01	10.25	8.25	13.19	10.45	12.32	13.73	11.85
AM1426R	14.13	12.26	6.13	0.44	7.21	11.01	12.25	10.25	15.19	12.45	14.32	15.73	13.85
AM1648R	16.27	14.40	8.13	0.44	9.21	13.01	14.25	12.25	17.19	13.86	15.73	17.87	15.99
AM1868R	18.40	16.40	8.13	0.44	9.21	14.97	16.25	14.25	19.28	15.86	17.86	20.00	18.00
AM2068R	20.00	16.00	8.13	0.44	9.21	14.54	17.81	13.81	20.84	15.43	19.43	21.59	17.59

All dimensions in inches.

*Secure online ordering 24/7/365 from*  
**B & B electronics**  
 MANUFACTURING COMPANY  
 International Headquarters: 707 Dayton Road - PO Box 1040 - Ottawa, IL 61350 USA  
 815-433-5100 Fax 815-433-5104 [www.bb-elec.com](http://www.bb-elec.com) [orders@bb-elec.com](mailto:orders@bb-elec.com) [support@bb-elec.com](mailto:support@bb-elec.com)  
 European Headquarters: Westlink Commercial Park - Oranmore Co. Galway - Ireland  
 +353 91 792444 Fax +353 91 792445 [www.bb-europe.com](http://www.bb-europe.com) [orders@bb-europe.com](mailto:orders@bb-europe.com) [support@bb-europe.com](mailto:support@bb-europe.com)





## **AM-R Series JIC Size Junction Boxes: Lift-Off Screw Cover With Window**

### **A P P L I C A T I O N**

- Designed to insulate and house electrical and electronic controls, instruments or components for indoor and outdoor applications
- Especially well suited for high temperature or corrosive environments
- Protects from dirt, dust, oil and water
- Window unit provides viewing area for instrumentation or equipment

### **S T A N D A R D S**

- Construction meets NEMA/EEMAC Type 4, 4X, 12 specifications
- UL 508 listed, Type 1, 2, 3, 3R, 4, 4X, 12, 13
- CSA certified LR 89590 for use with industrial control equipment CSA Enc. 1, 2, 3, 4, 4X, 12, 13

### **C O N S T R U C T I O N**

- Strong, molded fiberglass reinforced polyester construction with matching raised cover
- UV resistant polycarbonate viewing window
- 304 stainless steel captive cover screws
- Gasket made of closed-cell neoprene cord encased in a continuous channel
- 304 stainless steel wall mounting feet with 10-32 stainless steel screws included
- 10-32 threaded inserts are installed for optional back panel
- JIC sizing
- Fiberglass material is easily punched, drilled or sawed
- UV stabilized for outdoor use

### **A C C E S S O R I E S**

- Optional painted carbon steel back panels (See table on pages 64-65.)
- Optional aluminum back panels (See table on pages 64-65.)
- Optional deadfront panel (See table on pages 64-65.)

### **M O D I F I C A T I O N S**

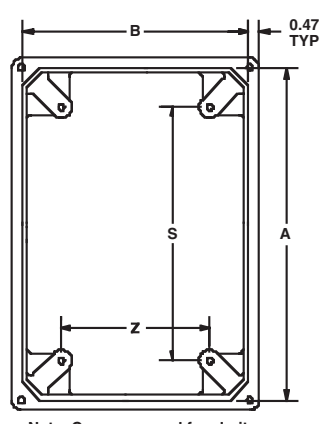
- Custom size holes and cutouts
- Custom size polycarbonate viewing windows
- Molded-in color matches
- Hinge installed on short side
- EMI/RFI shielding
- Factory-supplied silk screening

Secure online  
ordering  
24/7/365 from

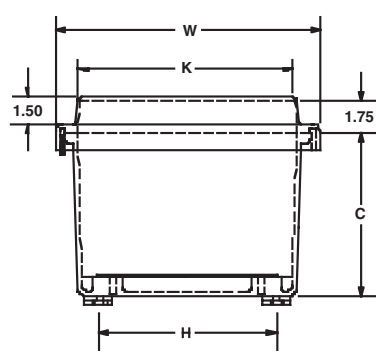
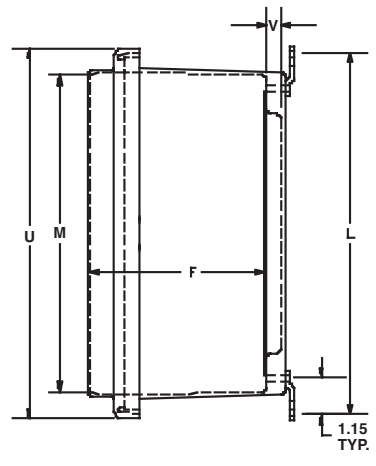
**B & B** electronics  
MANUFACTURING COMPANY

International Headquarters: 707 Dayton Road - PO Box 1040 - Ottawa, IL 61350 USA  
815-433-5100 Fax 815-433-5104 [www.bb-elec.com](http://www.bb-elec.com) [orders@bb-elec.com](mailto:orders@bb-elec.com) [support@bb-elec.com](mailto:support@bb-elec.com)

European Headquarters: Westlink Commercial Park - Oranmore Co. Galway - Ireland  
+353 91 792444 Fax +353 91 792445 [www.bb-europe.com](http://www.bb-europe.com) [orders@bb-europe.com](mailto:orders@bb-europe.com) [support@bb-europe.com](mailto:support@bb-europe.com)



Note: Cover removed for clarity

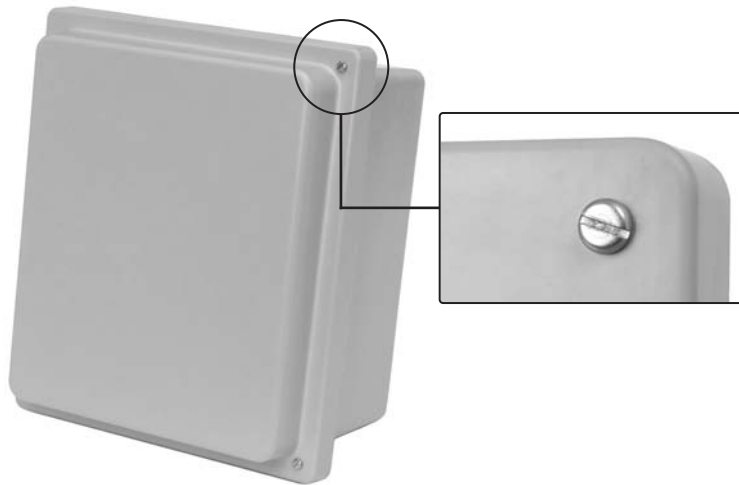


Nom. 1/8" wall thickness

Part No.	Box Size			Centers						Cover Dim.				Win. Dim.
	A	B	C	V	F	H	S	Z	L	K	M	U	W	
AM664RW	6.10	6.10	4.18	0.44	5.26	5.01	4.25	4.25	7.32	6.08	6.08	7.69	7.69	4.25 x 4.25
AM864RW	8.00	6.13	4.13	0.44	5.21	5.01	6.25	4.25	9.19	6.11	7.98	9.59	7.71	4.25 x 6.25
AM1084RW	10.14	8.26	4.13	0.44	5.21	7.01	8.25	6.25	11.19	8.44	10.32	11.73	9.85	6.50 x 8.38
AM1086RW	10.14	8.26	6.13	0.44	7.21	7.01	8.25	6.25	11.19	8.44	10.32	11.73	9.85	6.50 x 8.37
AM1206RW	12.14	10.26	6.13	0.44	7.21	9.01	10.25	8.25	13.19	10.45	12.32	13.73	11.85	8.50 x 10.37
AM1426RW	14.13	12.26	6.13	0.44	7.21	11.01	12.25	10.25	15.19	12.45	14.32	15.73	13.85	10.50 x 12.37
AM1648RW	16.27	14.40	8.13	0.44	9.21	13.01	14.25	12.25	17.19	13.86	15.73	17.87	15.99	11.00 x 13.00
AM1868RW	18.40	16.40	8.13	0.44	9.21	14.97	16.25	14.25	19.28	15.86	17.86	20.00	18.00	12.00 x 14.00
AM2068RW	20.00	16.00	8.13	0.44	9.21	14.54	17.81	13.81	20.84	15.43	19.43	21.59	17.59	11.00 x 15.00

All dimensions in inches.





## **AM-R Series JIC Size Junction Boxes: Hinged Screw Cover**

### **A P P L I C A T I O N**

- Designed to insulate and house electrical and electronic controls, instruments or components for indoor and outdoor applications
- Especially well suited for high temperature or corrosive environments
- Protects from dirt, dust, oil and water

### **S T A N D A R D S**

- Construction meets NEMA/EEMAC Type 4, 4X, 12 specifications
- UL 508 listed, Type 1, 2, 3, 3R, 4, 4X, 12, 13
- CSA certified LR 89590 for use with industrial control equipment CSA Enc. 1, 2, 3, 4, 4X, 12, 13

### **C O N S T R U C T I O N**

- Strong, molded fiberglass reinforced polyester construction with matching raised cover
- 304 stainless steel captive cover screws
- Continuous stainless steel hinge
- Gasket made of closed-cell neoprene cord encased in a continuous channel
- 304 stainless steel wall mounting feet with 10-32 stainless steel screws included
- 10-32 threaded inserts are installed for optional back panel
- JIC sizing
- Fiberglass material is easily punched, drilled or sawed
- UV stabilized for outdoor use

### **A C C E S S O R I E S**

- Optional painted carbon steel back panels (See table on pages 64-65.)
- Optional aluminum back panels (See table on pages 64-65.)
- Optional deadfront panel (See table on pages 64-65.)

### **M O D I F I C A T I O N S**

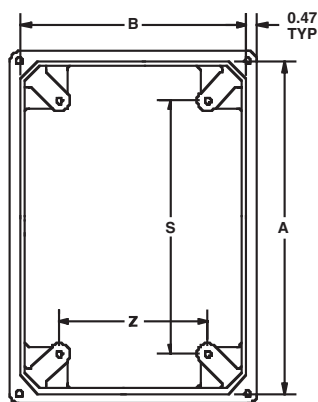
- Custom size holes and cutouts
- Custom size polycarbonate viewing windows
- Molded-in color matches
- Hinge installed on short side
- EMI/RFI shielding
- Factory-supplied silk screening

Secure online  
ordering  
24/7/365 from

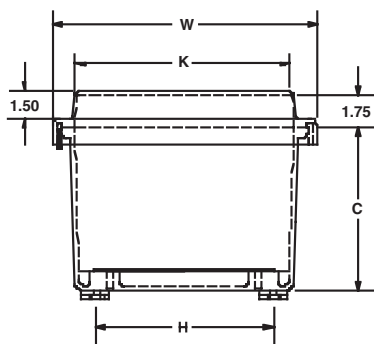
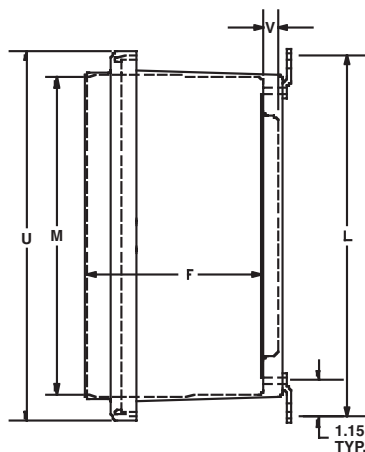
**B & B** MANUFACTURING COMPANY

International Headquarters: 707 Dayton Road - PO Box 1040 - Ottawa, IL 61350 USA  
815-433-5100 Fax 815-433-5104 [www.bb-elec.com](http://www.bb-elec.com) [orders@bb-elec.com](mailto:orders@bb-elec.com) [support@bb-elec.com](mailto:support@bb-elec.com)

European Headquarters: Westlink Commercial Park - Oranmore Co. Galway - Ireland  
+353 91 792444 Fax +353 91 792445 [www.bb-europe.com](http://www.bb-europe.com) [orders@bb-europe.com](mailto:orders@bb-europe.com) [support@bb-europe.com](mailto:support@bb-europe.com)



Note: Cover removed for clarity

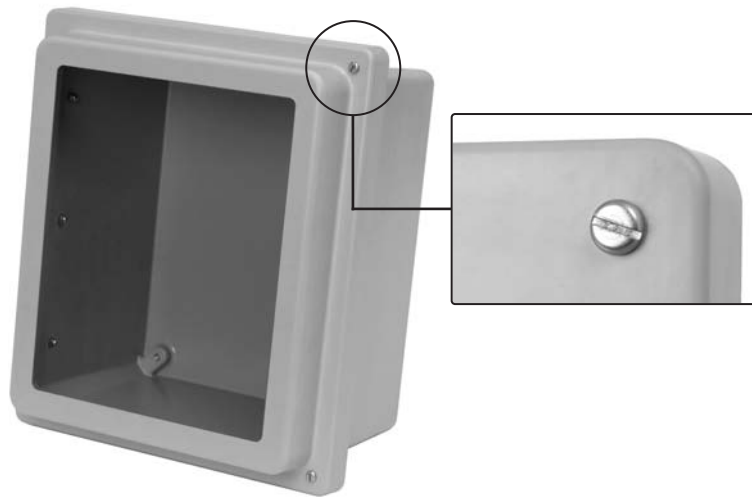


Nom. 1/8" wall thickness

Part No.	Box Size			Centers						Cover Dim.			
	A	B	C	V	F	H	S	Z	L	K	M	U	W
AM664RH	6.10	6.10	4.18	0.44	5.26	5.01	4.25	4.25	7.32	6.08	6.08	7.69	7.69
AM864RH	8.00	6.13	4.13	0.44	5.21	5.01	6.25	4.25	9.19	6.11	7.98	9.59	7.71
AM1084RH	10.14	8.26	4.13	0.44	5.21	7.01	8.25	6.25	11.19	8.44	10.32	11.73	9.85
AM1086RH	10.14	8.26	6.13	0.44	7.21	7.01	8.25	6.25	11.19	8.44	10.32	11.73	9.85
AM1206RH	12.14	10.26	6.13	0.44	7.21	9.01	10.25	8.25	13.19	10.45	12.32	13.73	11.85
AM1426RH	14.13	12.26	6.13	0.44	7.21	11.01	12.25	10.25	15.19	12.45	14.32	15.73	13.85
AM1648RH	16.27	14.40	8.13	0.44	9.21	13.01	14.25	12.25	17.19	13.86	15.73	17.87	15.99
AM1868RH	18.40	16.40	8.13	0.44	9.21	14.97	16.25	14.25	19.28	15.86	17.86	20.00	18.00
AM2068RH	20.00	16.00	8.13	0.44	9.21	14.54	17.81	13.81	20.84	15.43	19.43	21.59	17.59

All dimensions in inches.





## **AM-R Series JIC Size Junction Boxes: Hinged Screw Cover With Window**

### **A P P L I C A T I O N**

- Designed to insulate and house electrical and electronic controls, instruments or components for indoor and outdoor applications
- Especially well suited for high temperature or corrosive environments
- Protects from dirt, dust, oil and water
- Window unit provides viewing area for instrumentation or equipment

### **S T A N D A R D S**

- Construction meets NEMA/EEMAC Type 4, 4X, 12 specifications
- UL 508 listed, Type 1, 2, 3, 3R, 4, 4X, 12, 13
- CSA certified LR 89590 for use with industrial control equipment CSA Enc. 1, 2, 3, 4, 4X, 12, 13

### **C O N S T R U C T I O N**

- Strong, molded fiberglass reinforced polyester construction with matching raised cover
- UV resistant polycarbonate viewing window
- 304 stainless steel captive cover screws
- Continuous stainless steel hinge
- Gasket made of closed-cell neoprene cord encased in a continuous channel
- 304 stainless steel wall mounting feet with 10-32 stainless steel screws included
- 10-32 threaded inserts are installed for optional back panel
- JIC sizing
- Fiberglass material is easily punched, drilled or sawed
- UV stabilized for outdoor use

### **A C C E S S O R I E S**

- Optional painted carbon steel back panels (See table on pages 64-65.)
- Optional aluminum back panels (See table on pages 64-65.)
- Optional deadfront panel (See table on pages 64-65.)

### **M O D I F I C A T I O N S**

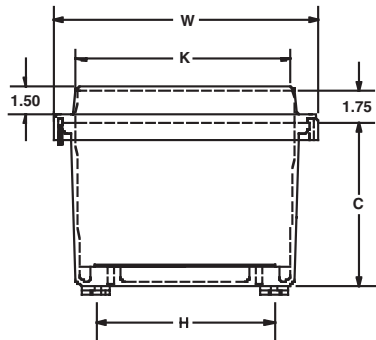
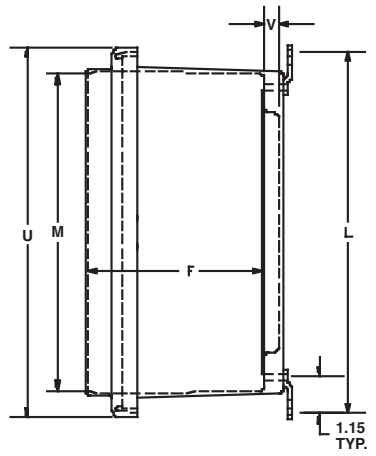
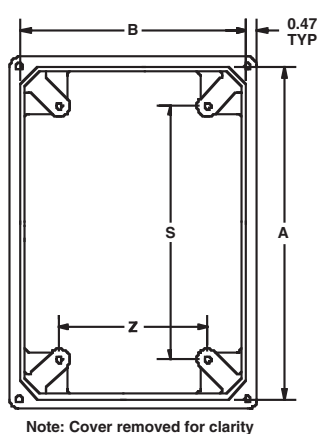
- Custom size holes and cutouts
- Custom size polycarbonate viewing windows
- Molded-in color matches
- Hinge installed on short side
- EMI/RFI shielding
- Factory-supplied silk screening

Secure online  
ordering  
24/7/365 from

**B & B** electronics  
MANUFACTURING COMPANY

International Headquarters: 707 Dayton Road - PO Box 1040 - Ottawa, IL 61350 USA  
815-433-5100 Fax 815-433-5104 [www.bb-elec.com](http://www.bb-elec.com) [orders@bb-elec.com](mailto:orders@bb-elec.com) [support@bb-elec.com](mailto:support@bb-elec.com)

European Headquarters: Westlink Commercial Park - Oranmore Co. Galway - Ireland  
+353 91 792444 Fax +353 91 792445 [www.bb-europe.com](http://www.bb-europe.com) [orders@bb-europe.com](mailto:orders@bb-europe.com) [support@bb-europe.com](mailto:support@bb-europe.com)



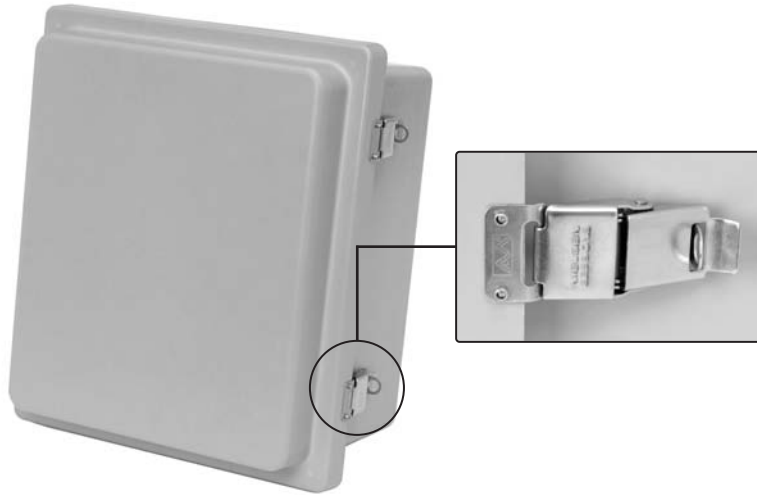
Nom. 1/8" wall thickness

Part No.	Box Size			Centers						Cover Dim.				Win. Dim.
	A	B	C	V	F	H	S	Z	L	K	M	U	W	
AM664RHW	6.10	6.10	4.18	0.44	5.26	5.01	4.25	4.25	7.32	6.08	6.08	7.69	7.69	4.25 x 4.25
AM864RHW	8.00	6.13	4.13	0.44	5.21	5.01	6.25	4.25	9.19	6.11	7.98	9.59	7.71	4.25 x 6.25
AM1084RHW	10.14	8.26	4.13	0.44	5.21	7.01	8.25	6.25	11.19	8.44	10.32	11.73	9.85	6.50 x 8.38
AM1086RHW	10.14	8.26	6.13	0.44	7.21	7.01	8.25	6.25	11.19	8.44	10.32	11.73	9.85	6.50 x 8.37
AM1206RHW	12.14	10.26	6.13	0.44	7.21	9.01	10.25	8.25	13.19	10.45	12.32	13.73	11.85	8.50 x 10.37
AM1426RHW	14.13	12.26	6.13	0.44	7.21	11.01	12.25	10.25	15.19	12.45	14.32	15.73	13.85	10.50 x 12.37
AM1648RHW	16.27	14.40	8.13	0.44	9.21	13.01	14.25	12.25	17.19	13.86	15.73	17.87	15.99	11.00 x 13.00
AM1868RHW	18.40	16.40	8.13	0.44	9.21	14.97	16.25	14.25	19.28	15.86	17.86	20.00	18.00	12.00 x 14.00
AM2068RHW	20.00	16.00	8.13	0.44	9.21	14.54	17.81	13.81	20.84	15.43	19.43	21.59	17.59	11.00 x 15.00

All dimensions in inches.

*Secure online ordering 24/7/365 from*  
**B & B electronics**  
 MANUFACTURING COMPANY  
 International Headquarters: 707 Dayton Road - PO Box 1040 - Ottawa, IL 61350 USA  
 815-433-5100 Fax 815-433-5104 [www.bb-elec.com](http://www.bb-elec.com) [orders@bb-elec.com](mailto:orders@bb-elec.com) [support@bb-elec.com](mailto:support@bb-elec.com)  
 European Headquarters: Westlink Commercial Park - Oranmore Co. Galway - Ireland  
 +353 91 792444 Fax +353 91 792445 [www.bb-europe.com](http://www.bb-europe.com) [orders@bb-europe.com](mailto:orders@bb-europe.com) [support@bb-europe.com](mailto:support@bb-europe.com)





## **AM-R Series JIC Size Junction Boxes: Snap Latch Hinged Cover**

### **A P P L I C A T I O N**

- Designed to insulate and house electrical and electronic controls, instruments or components for indoor and outdoor applications
- Especially well suited for high temperature or corrosive environments
- Protects from dirt, dust, oil and water

### **S T A N D A R D S**

- Construction meets NEMA/EEMAC Type 4, 4X, 12 specifications
- UL 508 listed, Type 1, 2, 3, 3R, 4, 4X, 12, 13
- CSA certified LR 89590 for use with industrial control equipment CSA Enc. 1, 2, 3, 4, 4X, 12, 13

### **C O N S T R U C T I O N**

- Strong, molded fiberglass reinforced polyester construction with matching raised cover
- 304 stainless steel snap latches feature padlock hasp
- Continuous stainless steel hinge
- Gasket made of closed-cell neoprene cord encased in a continuous channel
- 304 stainless steel wall mounting feet with 10-32 stainless steel screws included
- 10-32 threaded inserts are installed for optional back panel
- JIC sizing
- Fiberglass material is easily punched, drilled or sawed
- UV stabilized for outdoor use

### **A C C E S S O R I E S**

- Optional painted carbon steel back panels (See table on pages 64-65.)
- Optional aluminum back panels (See table on pages 64-65.)
- Optional deadfront panel (See table on pages 64-65.)

### **M O D I F I C A T I O N S**

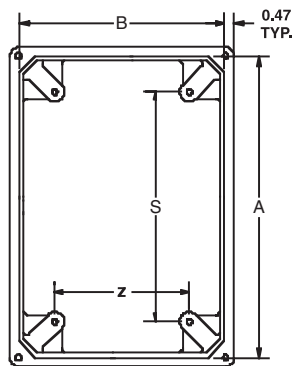
- Custom size holes and cutouts
- Custom size polycarbonate viewing windows
- Molded-in color matches
- Hinge installed on short side
- EMI/RFI shielding
- Factory-supplied silk screening

Secure online  
ordering  
24/7/365 from

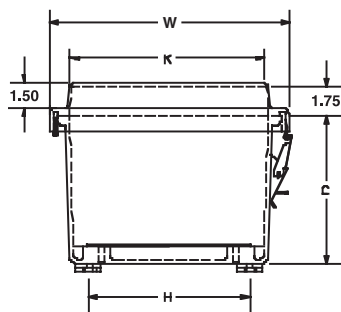
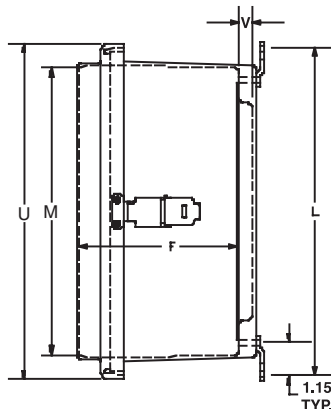
**B & B** electronics  
MANUFACTURING COMPANY

International Headquarters: 707 Dayton Road - PO Box 1040 - Ottawa, IL 61350 USA  
815-433-5100 Fax 815-433-5104 [www.bb-elec.com](http://www.bb-elec.com) [orders@bb-elec.com](mailto:orders@bb-elec.com) [support@bb-elec.com](mailto:support@bb-elec.com)

European Headquarters: Westlink Commercial Park - Oranmore Co. Galway - Ireland  
+353 91 792444 Fax +353 91 792445 [www.bb-europe.com](http://www.bb-europe.com) [orders@bb-europe.com](mailto:orders@bb-europe.com) [support@bb-europe.com](mailto:support@bb-europe.com)



Note: Cover removed for clarity



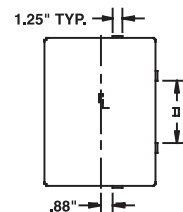
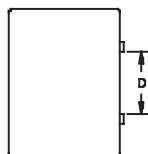
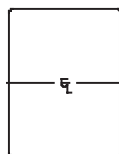
Nom. 1/8" wall thickness

### Latch Locations

For use on  
6x6x4  
8x6x4  
10x8x4  
10x8x6

For use on  
12x10x6 D=6.75  
14x12x6 D=7.25  
16x14x8 D=7.25

For use on  
18x16x8 D= 5.25  
20x16x8 D= 9.25



Part No.	Box Size			Centers						Cover Dim.			
	A	B	C	V	F	H	S	Z	L	K	M	U	W
AM664RL	6.10	6.10	4.18	0.44	5.26	5.01	4.25	4.25	7.32	6.08	6.08	7.69	7.69
AM864RL	8.00	6.13	4.13	0.44	5.21	5.01	6.25	4.25	9.19	6.11	7.98	9.59	7.71
AM1084RL	10.14	8.26	4.13	0.44	5.21	7.01	8.25	6.25	11.19	8.44	10.32	11.73	9.85
AM1086RL	10.14	8.26	6.13	0.44	7.21	7.01	8.25	6.25	11.19	8.44	10.32	11.73	9.85
AM1206RL	12.14	10.26	6.13	0.44	7.21	9.01	10.25	8.25	13.19	10.45	12.32	13.73	11.85
AM1426RL	14.13	12.26	6.13	0.44	7.21	11.01	12.25	10.25	15.19	12.45	14.32	15.73	13.85
AM1648RL	16.27	14.40	8.13	0.44	9.21	13.01	14.25	12.25	17.19	13.86	15.73	17.87	15.99
AM1868RL	18.40	16.40	8.13	0.44	9.21	14.97	16.25	14.25	19.28	15.86	17.86	20.00	18.00
AM2068RL	20.00	16.00	8.13	0.44	9.21	14.54	17.81	13.81	20.84	15.43	19.43	21.59	17.59

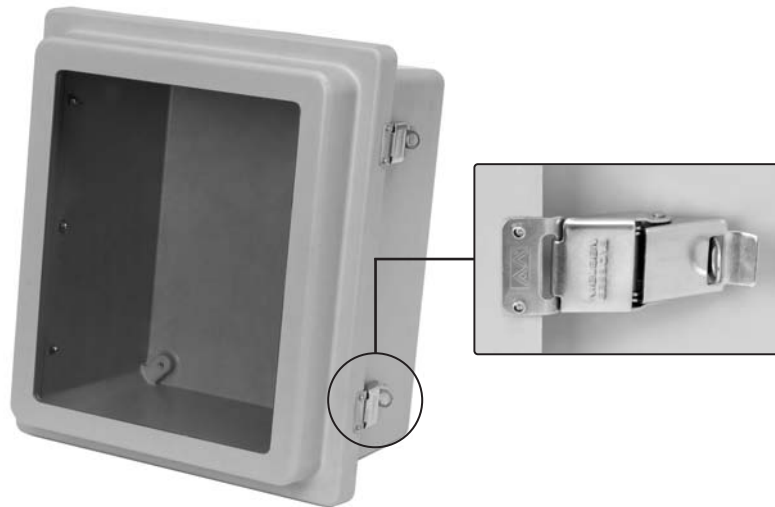
All dimensions in inches.

Secure online ordering 24/7/365 from **B&B electronics** MANUFACTURING COMPANY

International Headquarters: 707 Dayton Road - PO Box 1040 - Ottawa, IL 61350 USA  
815-433-5100 Fax 815-433-5104 www.bb-elec.com orders@bb-elec.com support@bb-elec.com

European Headquarters: Westlink Commercial Park - Oranmore Co. Galway - Ireland  
+353 91 792444 Fax +353 91 792445 www.bb-europe.com orders@bb-europe.com support@bb-europe.com





## **AM-R Series JIC Size Junction Boxes: Snap Latch Hinged Cover With Window**

### **A P P L I C A T I O N**

- Designed to insulate and house electrical and electronic controls, instruments or components for indoor and outdoor applications
- Especially well suited for high temperature or corrosive environments
- Protects from dirt, dust, oil and water
- Window unit provides viewing area for instrumentation or equipment

### **S T A N D A R D S**

- Construction meets NEMA/EEMAC Type 4, 4X, 12 specifications
- UL 508 listed, Type 1, 2, 3, 3R, 4, 4X, 12, 13
- CSA certified LR 89590 for use with industrial control equipment CSA Enc. 1, 2, 3, 4, 4X, 12, 13

### **C O N S T R U C T I O N**

- Strong, molded fiberglass reinforced polyester construction with matching raised cover
- UV resistant polycarbonate viewing window
- 304 stainless steel snap latches feature padlock hasp
- Continuous stainless steel hinge
- Gasket made of closed-cell neoprene cord encased in a continuous channel
- 304 stainless steel wall mounting feet with 10-32 stainless steel screws included
- 10-32 threaded inserts are installed for optional back panel
- JIC sizing
- Fiberglass material is easily punched, drilled or sawed
- UV stabilized for outdoor use

### **A C C E S S O R I E S**

- Optional painted carbon steel back panels (See table on pages 64-65.)
- Optional aluminum back panels (See table on pages 64-65.)
- Optional deadfront panel (See table on pages 64-65.)

### **M O D I F I C A T I O N S**

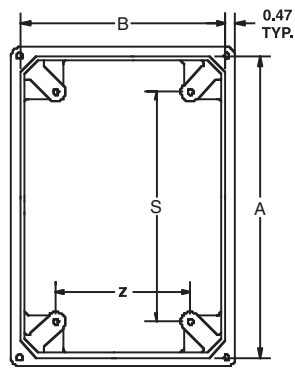
- Custom size holes and cutouts
- Custom size polycarbonate viewing windows
- Molded-in color matches
- Hinge installed on short side
- EMI/RFI shielding
- Factory-supplied silk screening

Secure online  
ordering  
24/7/365 from

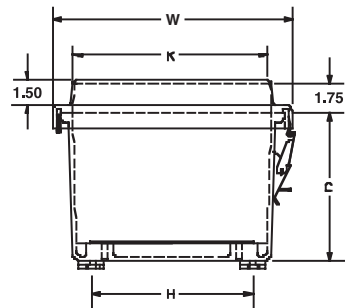
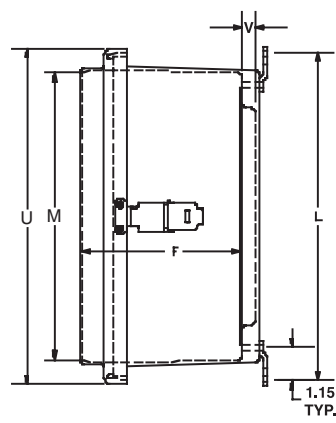
**B & B** electronics  
MANUFACTURING COMPANY

International Headquarters: 707 Dayton Road - PO Box 1040 - Ottawa, IL 61350 USA  
815-433-5100 Fax 815-433-5104 [www.bb-elec.com](http://www.bb-elec.com) [orders@bb-elec.com](mailto:orders@bb-elec.com) [support@bb-elec.com](mailto:support@bb-elec.com)

European Headquarters: Westlink Commercial Park - Oranmore Co. Galway - Ireland  
+353 91 792444 Fax +353 91 792445 [www.bb-europe.com](http://www.bb-europe.com) [orders@bb-europe.com](mailto:orders@bb-europe.com) [support@bb-europe.com](mailto:support@bb-europe.com)



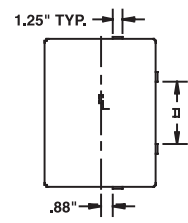
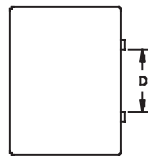
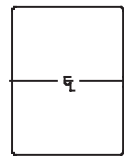
Note: Cover removed for clarity



Nom. 1/8" wall thickness

**Latch Locations**

- For use on 6x6x4
- For use on 8x6x4
- For use on 10x8x4
- For use on 10x8x6
- For use on 12x10x6 D=6.75
- For use on 14x12x6 D=7.25
- For use on 16x14x8 D=7.25
- For use on 18x16x8 D= 5.25
- For use on 20x16x8 D= 9.25

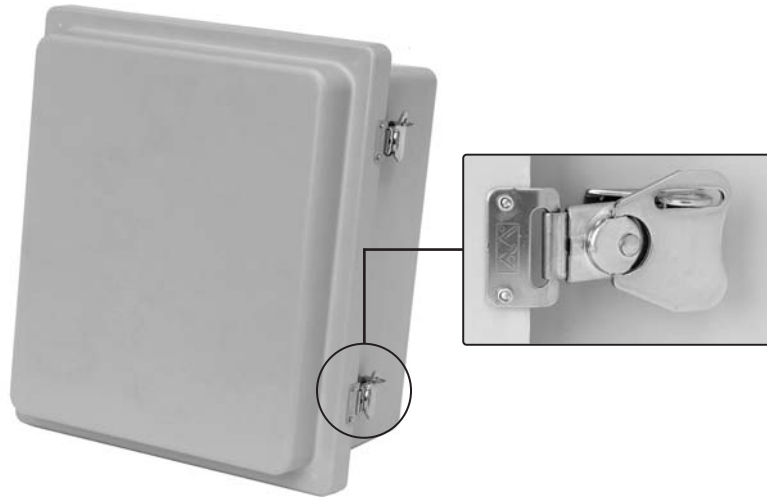


Part No.	Box Size			Centers						Cover Dim.				Win. Dim.
	A	B	C	V	F	H	S	Z	L	K	M	U	W	
AM664RLW	6.10	6.10	4.18	0.44	5.17	5.01	4.25	4.25	7.32	6.08	6.08	7.69	7.69	4.25 x 4.25
AM864RLW	8.00	6.13	4.13	0.44	5.12	5.01	6.25	4.25	9.19	6.11	7.98	9.59	7.71	4.25 x 6.25
AM1084RLW	10.14	8.26	4.13	0.44	5.21	7.01	8.25	6.25	11.19	8.44	10.32	11.73	9.85	6.50 x 8.38
AM1086RLW	10.14	8.26	6.13	0.44	7.12	7.01	8.25	6.25	11.19	8.44	10.32	11.73	9.85	6.50 x 8.37
AM1206RLW	12.14	10.26	6.13	0.44	7.12	9.01	10.25	8.25	13.19	10.45	12.32	13.73	11.85	8.50 x 10.37
AM1426RLW	14.13	12.26	6.13	0.44	7.12	11.01	12.25	10.25	15.19	12.45	14.32	15.73	13.85	10.50 x 12.37
AM1648RLW	16.27	14.40	8.13	0.44	9.12	13.01	14.25	12.25	17.19	13.86	15.73	17.87	15.99	11.00 x 13.00
AM1868RLW	18.40	16.40	8.13	0.44	9.12	14.97	16.25	14.25	19.28	15.86	17.86	20.00	18.00	12.00 x 14.00
AM2068RLW	20.00	16.00	8.13	0.44	9.12	14.54	17.81	13.81	20.84	15.43	19.43	21.59	17.59	11.00 x 15.00

All dimensions in inches.

*Secure online ordering 24/7/365 from*  
**B & B electronics**  
 MANUFACTURING COMPANY  
 International Headquarters: 707 Dayton Road - PO Box 1040 - Ottawa, IL 61350 USA  
 815-433-5100 Fax 815-433-5104 [www.bb-elec.com](http://www.bb-elec.com) [orders@bb-elec.com](mailto:orders@bb-elec.com) [support@bb-elec.com](mailto:support@bb-elec.com)  
 European Headquarters: Westlink Commercial Park - Oranmore Co. Galway - Ireland  
 +353 91 792444 Fax +353 91 792445 [www.bb-europe.com](http://www.bb-europe.com) [orders@bb-europe.com](mailto:orders@bb-europe.com) [support@bb-europe.com](mailto:support@bb-europe.com)





## **AM-R Series JIC Size Junction Boxes: Twist Latch Hinged Cover**

### **APPLICATION**

- Designed to insulate and house electrical and electronic controls, instruments or components for indoor and outdoor applications
- Especially well suited for high temperature or corrosive environments
- Protects from dirt, dust, oil and water

### **STANDARDS**

- Construction meets NEMA/EEMAC Type 4, 4X, 12 specifications
- UL 508 listed, Type 1, 2, 3, 3R, 4, 4X, 12, 13
- CSA certified LR 89590 for use with industrial control equipment CSA Enc. 1, 2, 3, 4, 4X, 12, 13

### **CONSTRUCTION**

- Strong, molded fiberglass reinforced polyester construction with matching raised cover
- 304 stainless steel twist latches feature padlock hasp
- Continuous stainless steel hinge
- Gasket made of closed-cell neoprene cord encased in a continuous channel
- 304 stainless steel wall mounting feet with 10-32 stainless steel screws included
- 10-32 threaded inserts are installed for optional back panel
- JIC sizing
- Fiberglass material is easily punched, drilled or sawed
- UV stabilized for outdoor use

### **ACCESSORIES**

- Optional painted carbon steel back panels (See table on pages 64-65.)
- Optional aluminum back panels (See table on pages 64-65.)
- Optional deadfront panel (See table on pages 64-65.)

### **MODIFICATIONS**

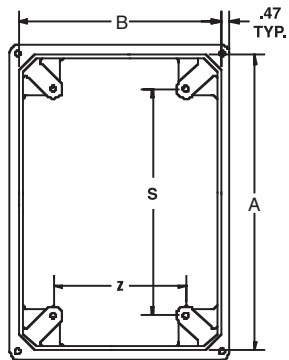
- Custom size holes and cutouts
- Custom size polycarbonate viewing windows
- Molded-in color matches
- Hinge installed on short side
- EMI/RFI shielding
- Factory-supplied silk screening

Secure online  
ordering  
24/7/365 from

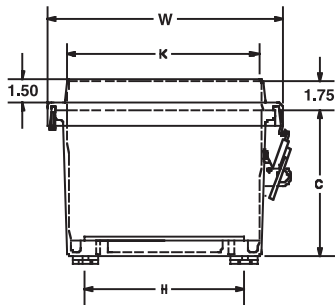
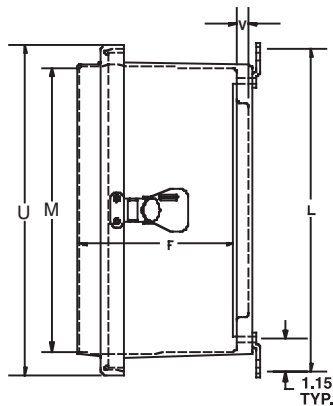
**B & B** MANUFACTURING COMPANY

International Headquarters: 707 Dayton Road - PO Box 1040 - Ottawa, IL 61350 USA  
815-433-5100 Fax 815-433-5104 [www.bb-elec.com](http://www.bb-elec.com) [orders@bb-elec.com](mailto:orders@bb-elec.com) [support@bb-elec.com](mailto:support@bb-elec.com)

European Headquarters: Westlink Commercial Park - Oranmore Co. Galway - Ireland  
+353 91 792444 Fax +353 91 792445 [www.bb-europe.com](http://www.bb-europe.com) [orders@bb-europe.com](mailto:orders@bb-europe.com) [support@bb-europe.com](mailto:support@bb-europe.com)



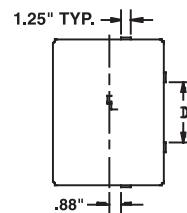
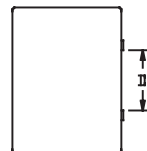
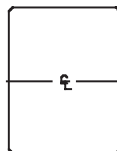
Note: Cover removed for clarity



Nom. 1/8" wall thickness

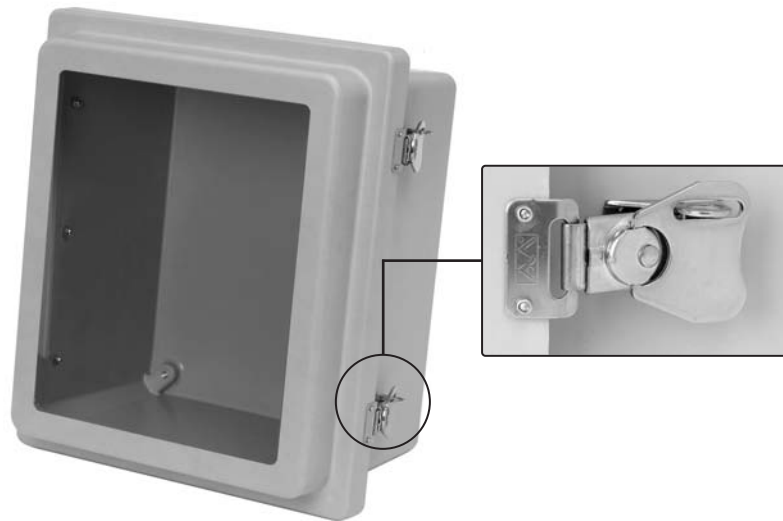
**Latch Locations**

- For use on 6x6x4
- For use on 8x6x4
- For use on 10x8x4
- For use on 10x8x6
- For use on 12x10x6 D=6.75
- For use on 14x12x6 D=7.25
- For use on 16x14x8 D=7.25
- For use on 18x16x8 D= 5.25
- For use on 20x16x8 D= 9.25



Part No.	Box Size			Centers						Cover Dim.			
	A	B	C	V	F	H	S	Z	L	K	M	U	W
AM664RT	6.10	6.10	4.18	0.44	5.26	5.01	4.25	4.25	7.32	6.08	6.08	7.69	7.69
AM864RT	8.00	6.13	4.13	0.44	5.21	5.01	6.25	4.25	9.19	6.11	7.98	9.59	7.71
AM1084RT	10.14	8.26	4.13	0.44	5.21	7.01	8.25	6.25	11.19	8.44	10.32	11.73	9.85
AM1086RT	10.14	8.26	6.13	0.44	7.21	7.01	8.25	6.25	11.19	8.44	10.32	11.73	9.85
AM1206RT	12.14	10.26	6.13	0.44	7.21	9.01	10.25	8.25	13.19	10.45	12.32	13.73	11.85
AM1426RT	14.13	12.26	6.13	0.44	7.21	11.01	12.25	10.25	15.19	12.45	14.32	15.73	13.85
AM1648RT	16.27	14.40	8.13	0.44	9.21	13.01	14.25	12.25	17.19	13.86	15.73	17.87	15.99
AM1868RT	18.40	16.40	8.13	0.44	9.21	14.97	16.25	14.25	19.28	15.86	17.86	20.00	18.00
AM2068RT	20.00	16.00	8.13	0.44	9.21	14.54	17.81	13.81	20.84	15.43	19.43	21.59	17.59

All dimensions in inches.



## ***AM-R Series JIC Size Junction Boxes: Twist Latch Hinged Cover With Window***

### **A P P L I C A T I O N**

- Designed to insulate and house electrical and electronic controls, instruments or components for indoor and outdoor applications
- Especially well suited for high temperature or corrosive environments
- Protects from dirt, dust, oil and water
- Window unit provides viewing area for instrumentation or equipment

### **S T A N D A R D S**

- Construction meets NEMA/EEMAC Type 4, 4X, 12 specifications
- UL 508 listed, Type 1, 2, 3, 3R, 4, 4X, 12, 13
- CSA certified LR 89590 for use with industrial control equipment CSA Enc. 1, 2, 3, 4, 4X, 12, 13

### **C O N S T R U C T I O N**

- Strong, molded fiberglass reinforced polyester construction with matching raised cover
- UV resistant polycarbonate viewing window
- 304 stainless steel twist latches feature padlock hasp
- Continuous stainless steel hinge
- Gasket made of closed-cell neoprene cord encased in a continuous channel
- 304 stainless steel wall mounting feet with 10-32 stainless steel screws included
- 10-32 threaded inserts are installed for optional back panel
- JIC sizing
- Fiberglass material is easily punched, drilled or sawed
- UV stabilized for outdoor use

### **A C C E S S O R I E S**

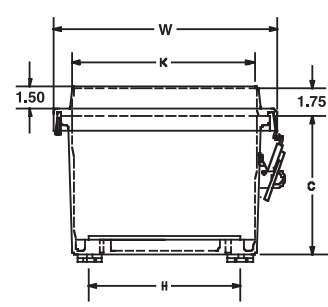
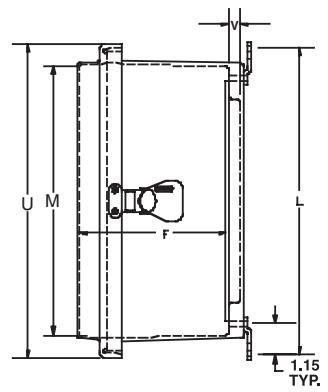
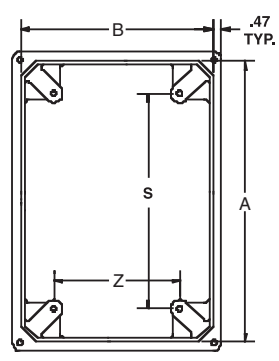
- Optional painted carbon steel back panels (See table on pages 64-65.)
- Optional aluminum back panels (See table on pages 64-65.)
- Optional deadfront panel (See table on pages 64-65.)

### **M O D I F I C A T I O N S**

- Custom size holes and cutouts
- Custom size polycarbonate viewing windows
- Molded-in color matches
- Hinge installed on short side
- EMI/RFI shielding
- Factory-supplied silk screening

***Secure online ordering 24/7/365 from:***

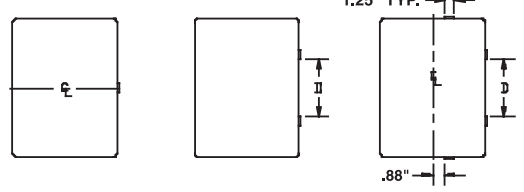
**B & B electronics**  
MANUFACTURING COMPANY  
[www.bb-electronics.com](http://www.bb-electronics.com)



Nom. 1/8" wall thickness

**Latch Locations**

- For use on 6x6x4
- For use on 12x10x6 D=6.75
- For use on 18x16x8 D= 5.25
- For use on 8x6x4
- For use on 14x12x6 D=7.25
- For use on 20x16x8 D= 9.25
- For use on 10x8x4
- For use on 16x14x8 D=7.25
- For use on 10x8x6



Part No.	Box Size			Centers						Cover Dim.				Win. Dim.
	A	B	C	V	F	H	S	Z	L	K	M	U	W	
AM664RTW	6.10	6.10	4.18	0.44	5.17	5.01	4.25	4.25	7.32	6.08	6.08	7.69	7.69	4.25 x 4.25
AM864RTW	8.00	6.13	4.13	0.44	5.12	5.01	6.25	4.25	9.19	6.11	7.98	9.59	7.71	4.25 x 6.25
AM1084RTW	10.14	8.26	4.13	0.44	5.12	7.01	8.25	6.25	11.19	8.44	10.32	11.73	9.85	6.50 x 8.38
AM1086RTW	10.14	8.26	6.13	0.44	7.12	7.01	8.25	6.25	11.19	8.44	10.32	11.73	9.85	6.50 x 8.37
AM1206RTW	12.14	10.26	6.13	0.44	7.12	9.01	10.25	8.25	13.19	10.45	12.32	13.73	11.85	8.50 x 10.37
AM1426RTW	14.13	12.26	6.13	0.44	7.12	11.01	12.25	10.25	15.19	12.45	14.32	15.73	13.85	10.50 x 12.37
AM1648RTW	16.27	14.40	8.13	0.44	9.12	13.01	14.25	12.25	17.19	13.86	15.73	17.87	15.99	11.00 x 13.00
AM1868RTW	18.40	16.40	8.13	0.44	9.12	14.97	16.25	14.25	19.28	15.86	17.86	20.00	18.00	12.00 x 14.00
AM2068RTW	20.00	16.00	8.13	0.44	9.12	14.54	17.81	13.81	20.84	15.43	19.43	21.59	17.59	11.00 x 15.00

All dimensions in inches.


  
**Secure online ordering 24/7/365 from B&B electronics MANUFACTURING COMPANY**
  
 International Headquarters: 707 Dayton Road - PO Box 1040 - Ottawa, IL 61350 USA
   
 815-433-5100 Fax 815-433-5104 [www.bb-elec.com](http://www.bb-elec.com) [orders@bb-elec.com](mailto:orders@bb-elec.com) [support@bb-elec.com](mailto:support@bb-elec.com)
  
 European Headquarters: Westlink Commercial Park - Oranmore Co. Galway - Ireland
   
 +353 91 792444 Fax +353 91 792445 [www.bb-europe.com](http://www.bb-europe.com) [orders@bb-europe.com](mailto:orders@bb-europe.com) [support@bb-europe.com](mailto:support@bb-europe.com)

