



**Model I-7019**

**8-channel Universal Analog Input Module**

**Features/Benefits**

- DIN rail mountable
- 10 to 30 VDC input
- Dual watchdog

**Specifications**

- Input Type: mV, V, mA, Thermocouple
- Input Channels: 8 differential
- Voltage Range:  $\pm 15\text{mV}$ ,  $\pm 50\text{mV}$ ,  $\pm 100\text{mV}$ ,  $\pm 150\text{mV}$ ,  $\pm 500\text{mV}$ ,  $\pm 1\text{V}$ ,  $\pm 2.5\text{V}$ ,  $\pm 5\text{V}$ ,  $\pm 10\text{V}$
- Current Range:  $\pm 20\text{mA}$  (jumper selectable)
- Thermocouple Range: Type J, K, T, E, R, S, B, N, C, L, M, L2
- Resolution: 16-bits
- Sampling Rate: 8 samples/second (total)
- Accuracy:  $\pm 0.05\%$
- -3dB BandWidth: 5.24Hz
- Common Mode Rejection: Typical 86dB
- Voltage Input Impedance: 20M Ohms
- Overvoltage Voltage Protection:  $\pm 15\text{Vdc}$
- Individual Channel Configurable
- Wire Opening Detection for Thermocouple
- Isolation Voltage: 3000Vdc

**Communication Interface**

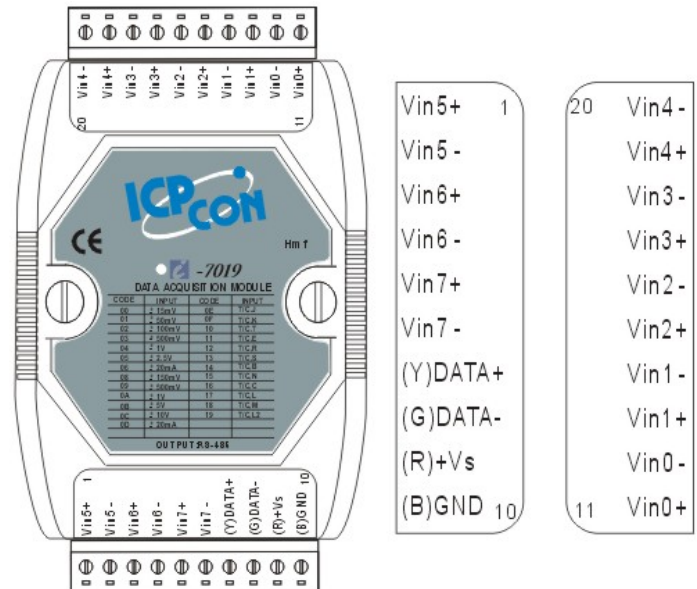
- RS-485

**Power Supply**

- Input Voltage Range: 10 to 30 VDC
- Power Consumption: 1.2W

**Thermocouple Type Setting**

Type Code	Thermocouple Type	Temperature Range °C
0E	Type J	-210 ~ +760
0F	Type K	-270 ~ +1372
10	Type T	-270 ~ +400
11	Type E	-270 ~ +1000
12	Type R	0 ~ +1768
13	Type S	0 ~ +1768
14	Type B	0 ~ +1820
15	Type N	-270 ~ +1300
16	Type C	0 ~ +2320
17	Type L	-200 ~ +800
18	Type M	-200 ~ +100
19	Type L2 (DIN 43710)	-200 ~ +900



**International Headquarters:** 707 Dayton Road PO Box 1040 Ottawa, IL 61350 USA  
 815-433-5100 Fax 433-5104 [www.bb-elec.com](http://www.bb-elec.com) [orders@bb-elec.com](mailto:orders@bb-elec.com) [support@bb-elec.com](mailto:support@bb-elec.com)

**European Headquarters:** Westlink Commercial Park Oranmore Co. Galway Ireland  
 +353 91 792444 Fax +353 91 792445 [www.bb-europe.com](http://www.bb-europe.com) [orders@bb-elec.com](mailto:orders@bb-elec.com) [support@bb-europe.com](mailto:support@bb-europe.com)