

WATER RESISTANT USB 2.0 CONNECTOR SERIES

Description

The sealed circular USB connector system is designed for use in harsh environments. The connector features bayonet coupling mechanism conforming to IEC 61076-3-106 standard. It provides fast but reliable connections in harsh environments. The Connector can be front or rear mounted into a panel with a thickness of up to 3.2mm. The integrated USB Connectors meet USB 2.0 specifications. The connector system provides IP67 sealing performance when the connector halves are fully mated or covered.

Two different versions (Industrial to Industrial and Industrial to Standard) type A plug to type A plug or type A plug to type B plug of the USB patch cords with various lengths for tough and outdoor applications are also offered. The products are **RoHS** compliant.

Applications

- Video, Audio, Motion Control, Webcam
- Communication and CDC Control, CDC Data
- Printers, Display
- Human Interface Devices
- Physical Interface Devices
- Wireless Controller
- Industrial Process Control
- Food and Chemical Process Equipment
- Mass Storage, Image, Media Devices
- Personal Healthcare
- Telecom Interface Devices
- Factory Automation, Robotics
- Bluetooth Adaptor
- Diagnostic Devices, Test Devices

Electrical Specifications

- Contact Resistance: 30 mΩ max.
- Insulation Resistance: 1000 MΩ min @ 100 VDC
- Operating Temperature: -40°C to +85°C (Connector); -40°C to +80°C (USB Cable)
- Current Rating: 1.5 A max. at 25°C
- DWV: 500 VAC/60s at sea level

Materials and Finish

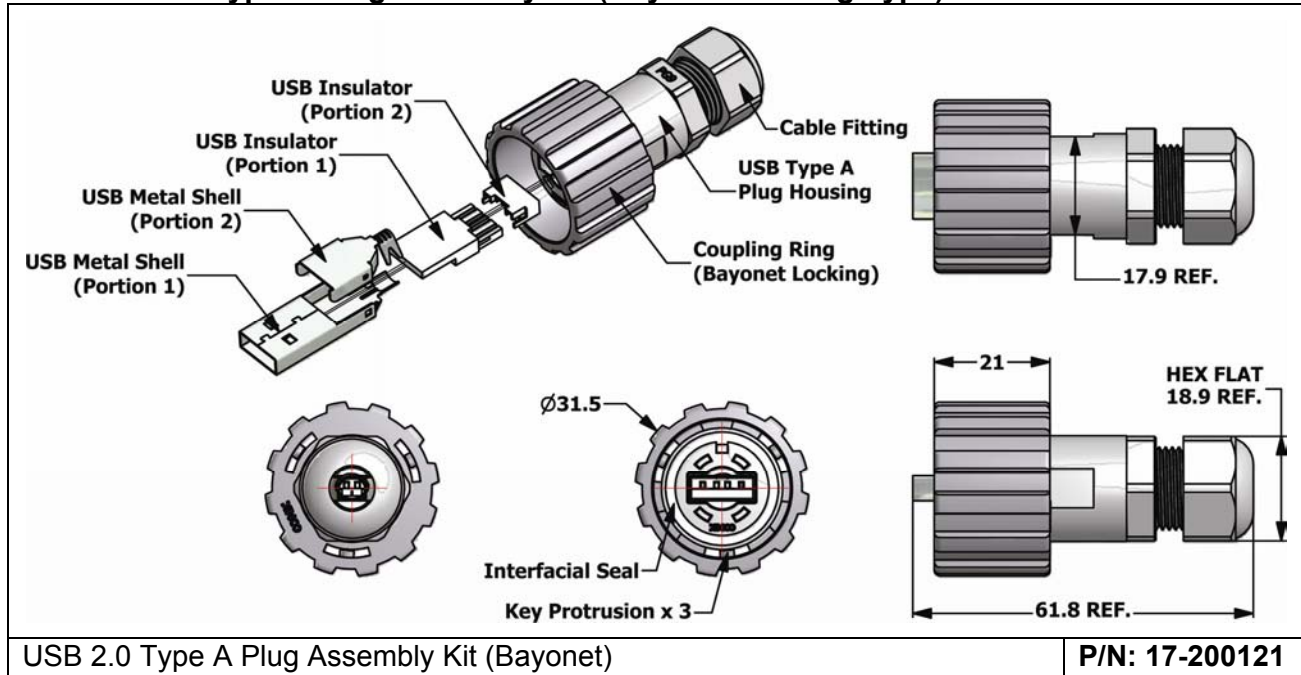
- Receptacle Housing: PBT, UL94 V-0, Black or Brass, Nickel Plated
- Panel Nut: Brass, Nickel Plated
- Panel Gasket: Silicone, White
- USB Metal Shell: SPCC, Nickel Plated
- USB Insulator: PBT, UL94 V-0, White
- USB Adaptor Insulator: PBT, UL94 V-0, Black
- USB Overmold: PVC, UL94 V-0, Black
- USB Adaptor Overmold: PBT, UL 94V-0, Black
- USB Contacts: Copper Alloy, 30 u" Gold min. over Nickel Plated
- Coupling Ring: PBT, UL94 V-0, Black or Brass, Nickel Plated
- USB Plug Housing: PBT, UL94 V-0, Black or ABS, UL94 V-0, Nickel Plated
- Cable Gland Body: PA, UL94 V-0, Black or Brass, Nickel Plated
- Cable Gland Seal: NBR, Black
- Cable Gland Insert (Metal Version): Nylon, White
- Protective Cover: PBT, UL94 V-0, Black or Brass, Nickel Plated
- Cover Gasket: Silicone, Red
- Interfacial Seal: Silicone, White
- Tether: PE, Black
- Ball Chain, Copper Alloy, Nickel Plated
- USB Cable: AWM2725 AWG28/1p + AWG24/2c; Black, (-40°C to +80°C)

Product Overview and Dimensions (in mm)

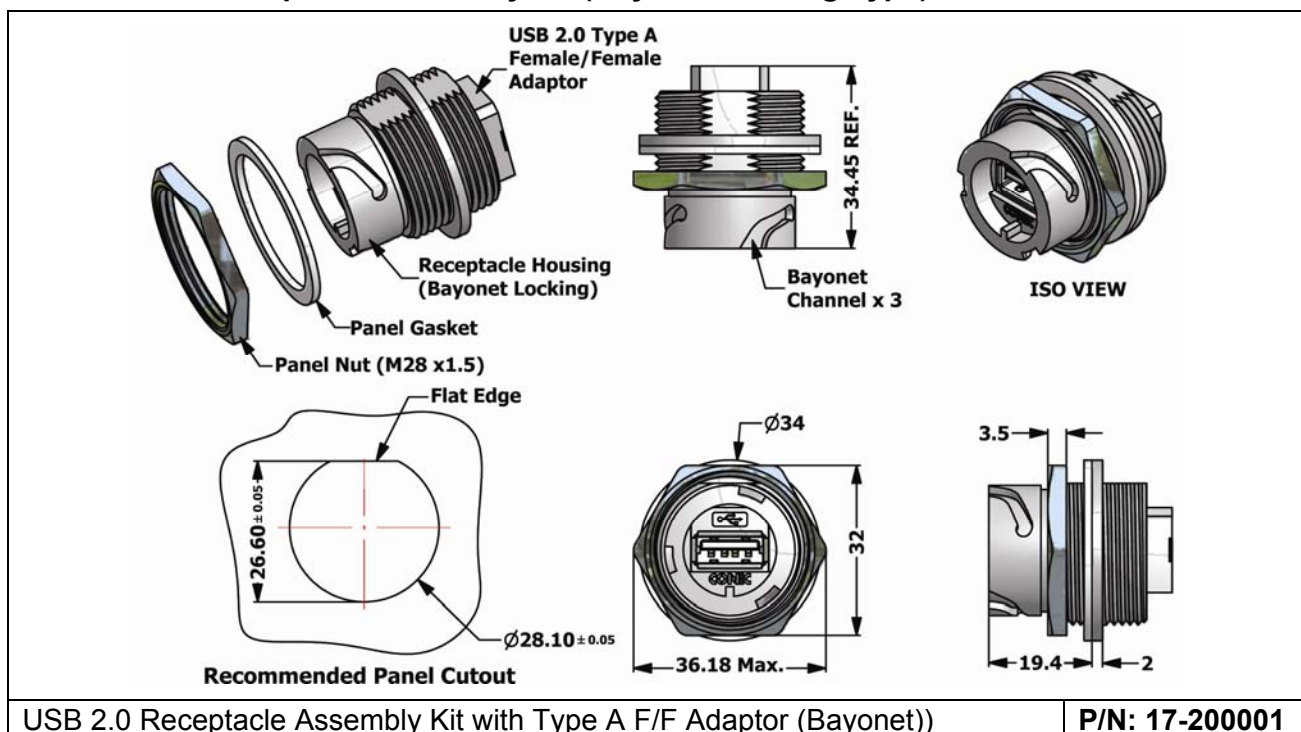
1 Plastic Version in Bayonet Locking Type

1.1 Connectors and the Protective Covers

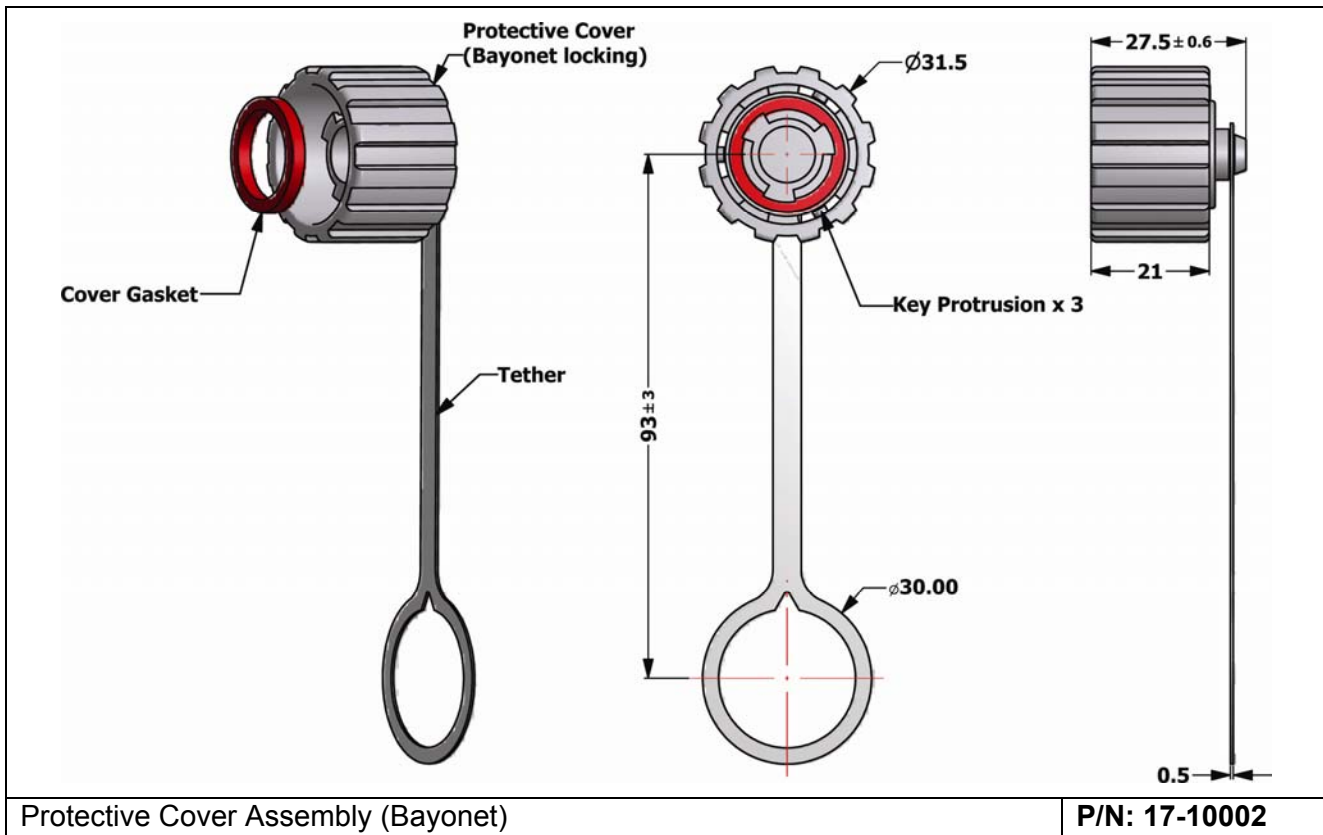
1.1.1 USB 2.0 Type A Plug Assembly Kit (Bayonet Locking Type)



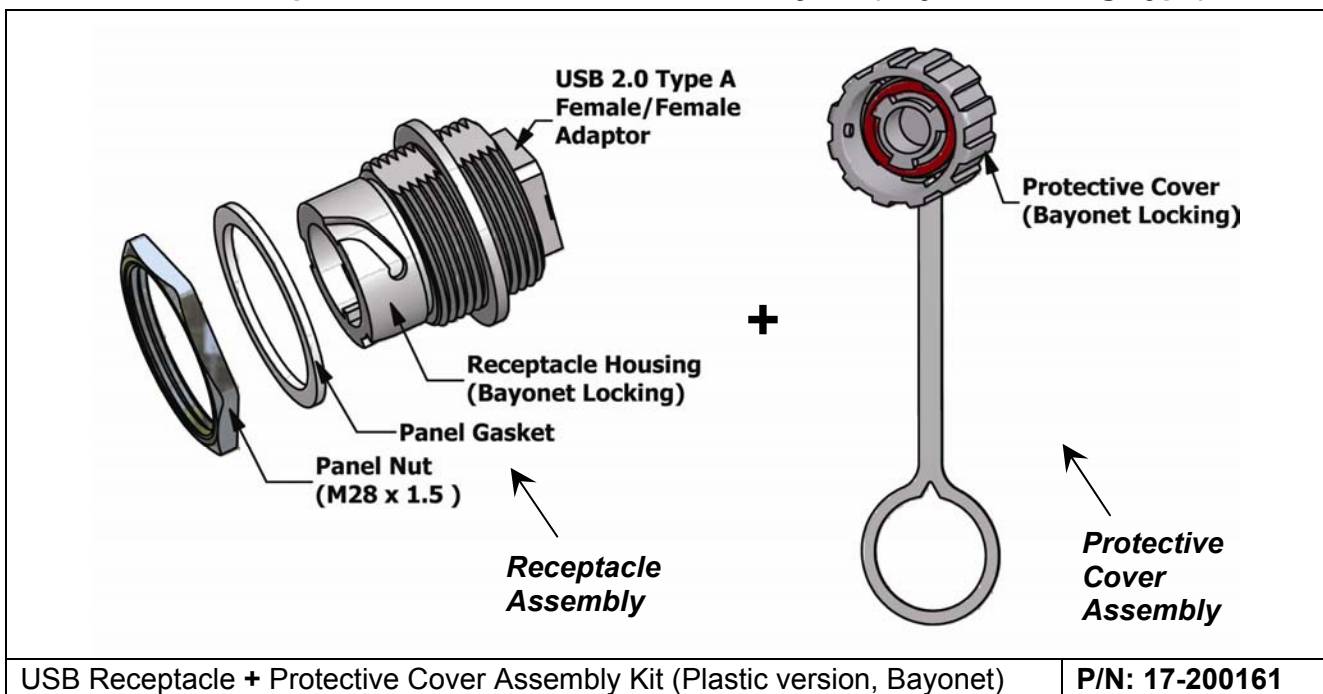
1.1.2 USB 2.0 Receptacle Assembly Kit (Bayonet Locking Type)



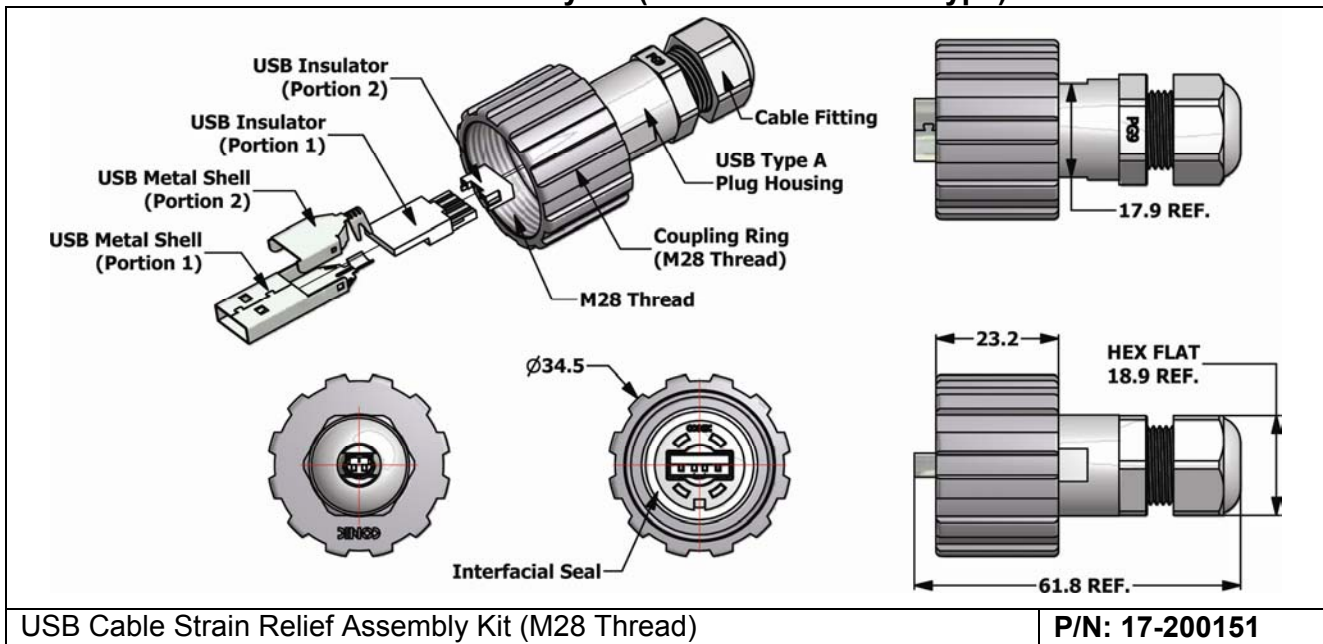
1.1.3 Protective Cover Assembly (Bayonet Locking Type)



1.1.4 The USB Receptacle + Protective Cover Assembly Kit (Bayonet locking Type)



1.1.5 USB Cable Strain Relief Assembly Kit (M28 Thread Screw Type)

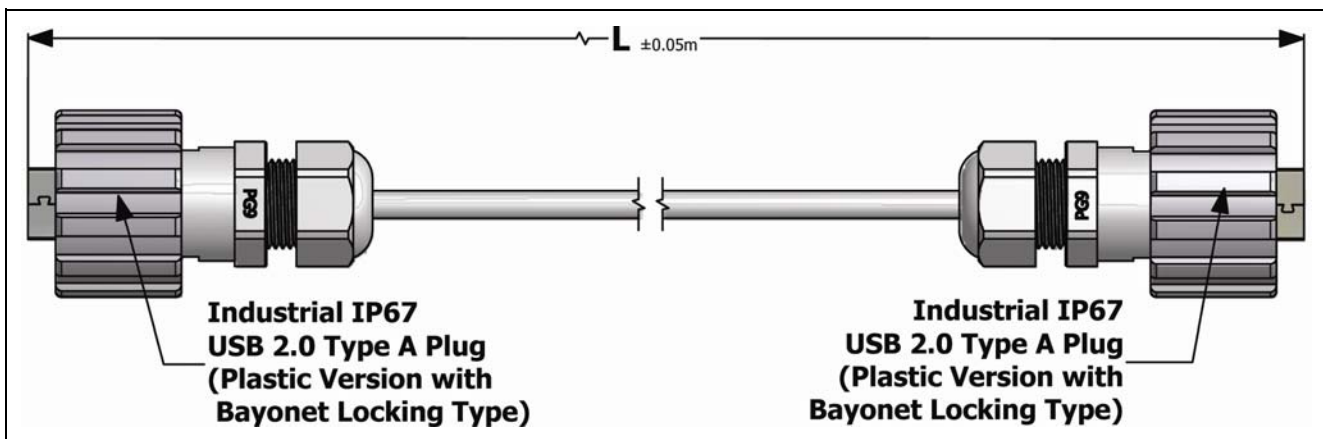


USB Cable Strain Relief Assembly Kit (M28 Thread)

P/N: 17-200151

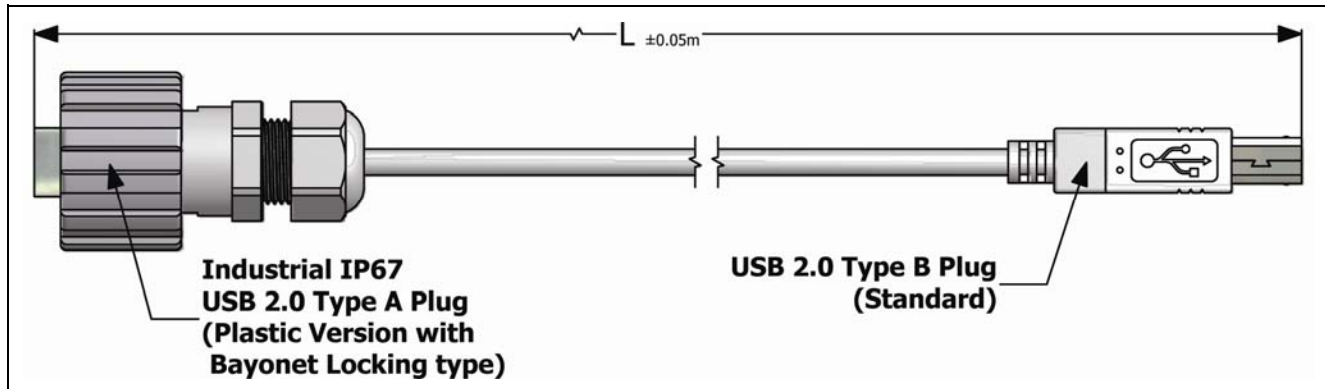
1.2 USB Patch Cord (Plastic Version in Bayonet Locking Type)

1.2.1 USB 2.0 Type A Plug (Industrial) to USB 2.0 Type A Plug (Industrial) Patch Cord (Bayonet)



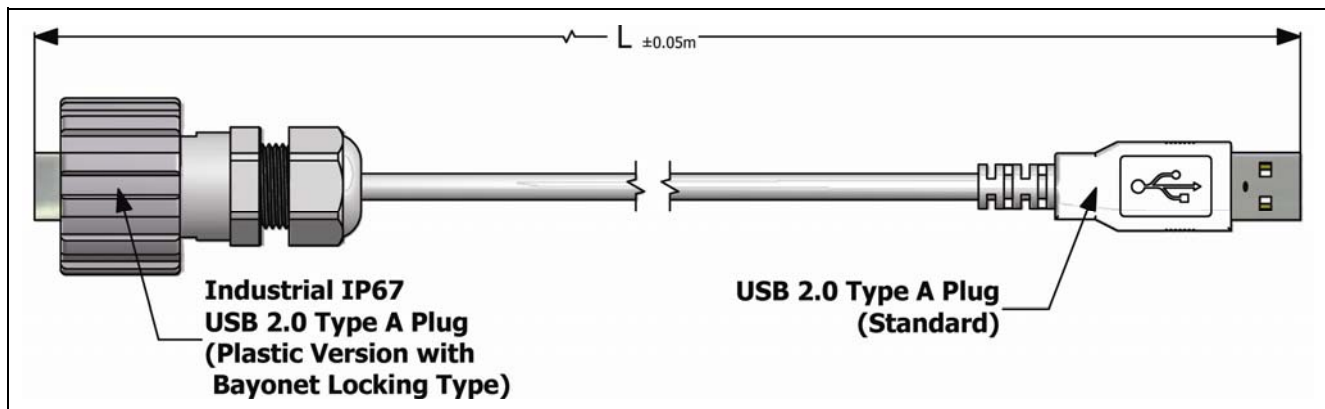
Description	Cable Length L		
	2 m	3 m	4.5 m
Part Number	17-200281	17-200291	17-200311

1.2.2 USB 2.0 Type A Plug (Industrial) to USB 2.0 Type B Plug (Standard) Patch Cord (Bayonet)



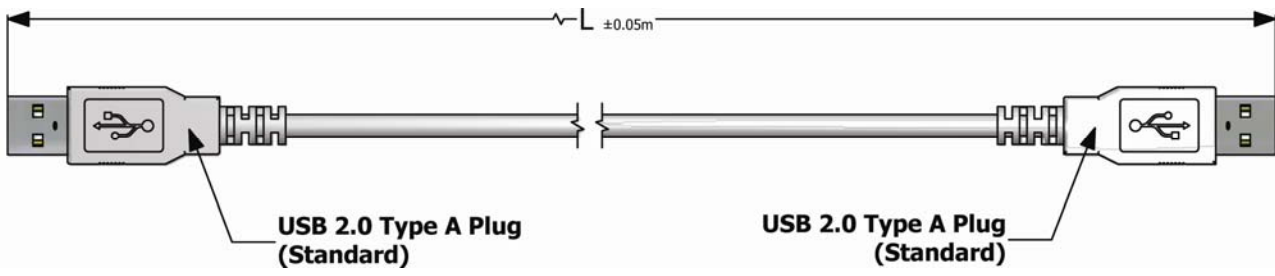
Description	Cable Length L		
		2 m	3 m
Part Number	17-200181	17-200191	17-200211

1.2.3 USB 2.0 Type A Plug (Industrial) to USB 2.0 Type A Plug (Standard) Patch Cord (Bayonet)



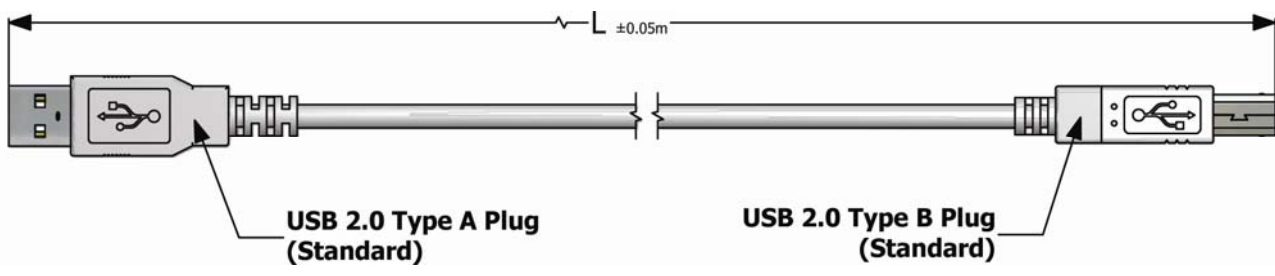
Description	Cable Length L		
		2 m	3 m
Part Number	17-200231	17-200241	17-200261

1.2.4 USB 2.0 Type A Plug (Standard) to USB 2.0 Type A Plug (Standard) Patch Cord



Description	Cable Length L		
	2 m	3 m	4.5 m
Part Number	17-201031	17-201041	17-201061

1.2.5 USB 2.0 Type A Plug (Standard) to USB 2.0 Type B Plug (Standard) Patch Cord

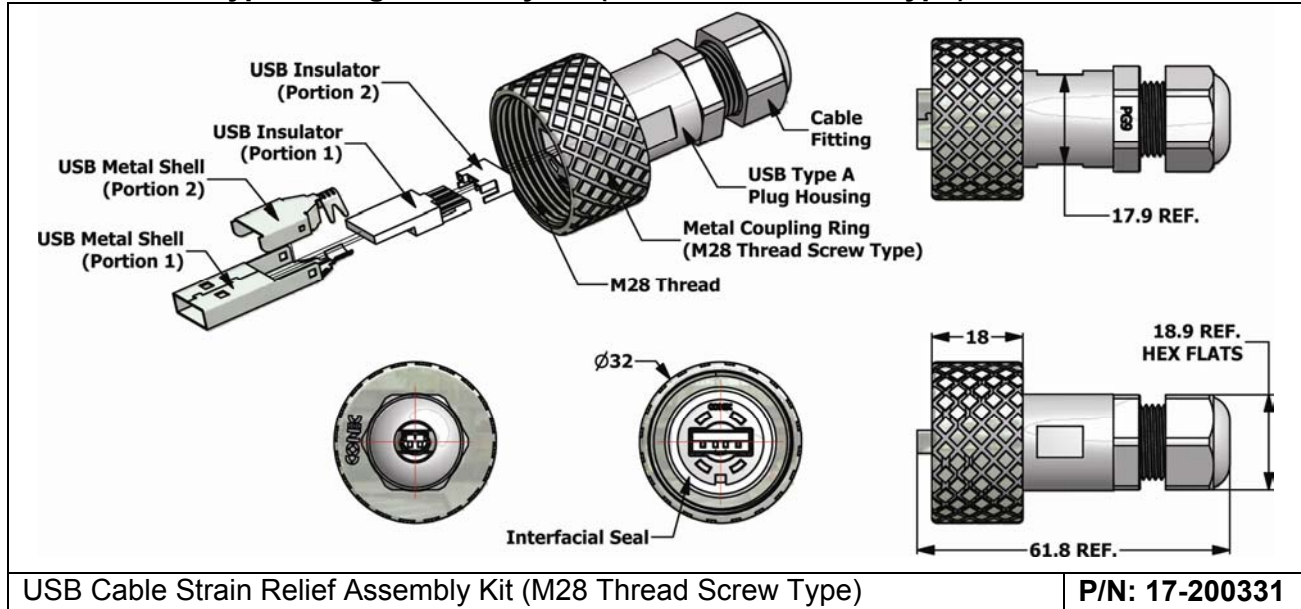


Description	Cable Length L		
	2 m	3 m	4.5 m
Part Number	17-201081	17-201091	17-201111

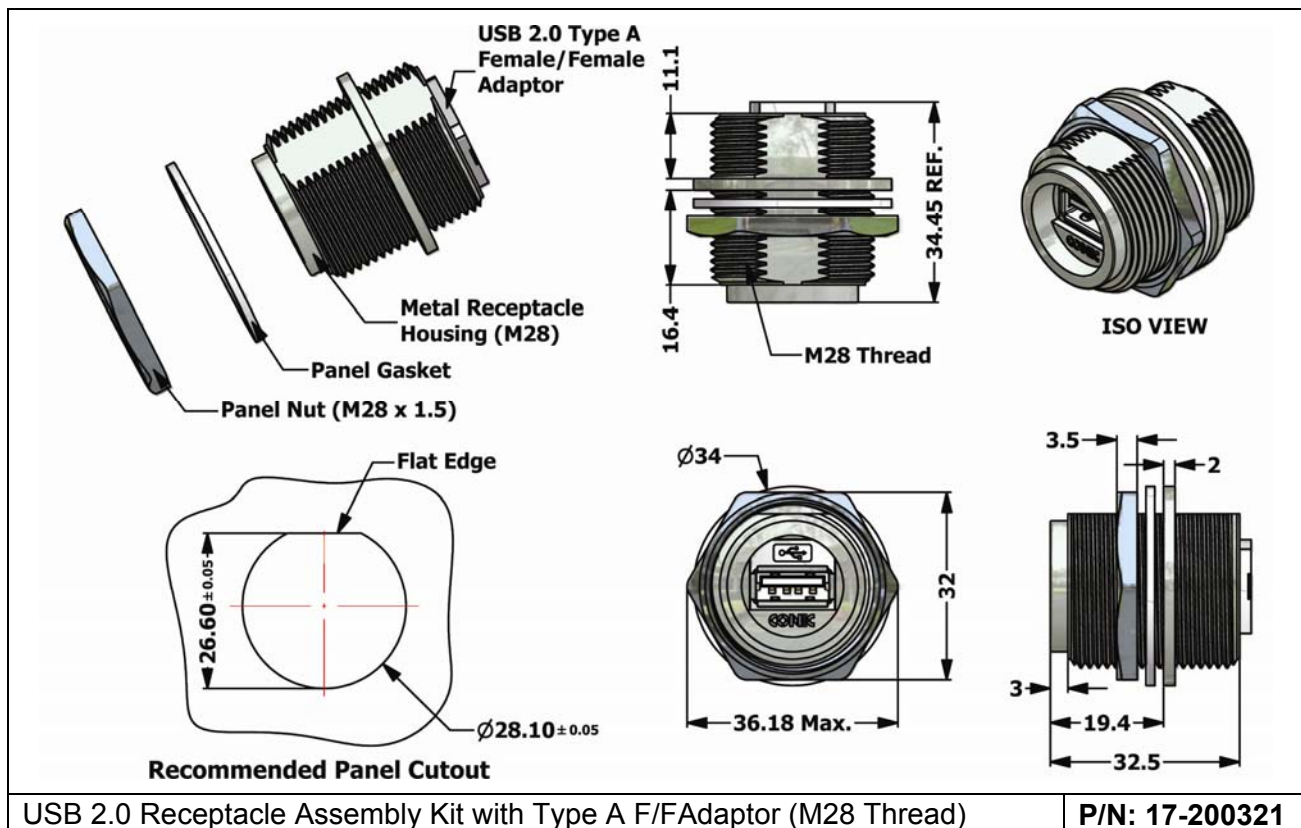
2 Metal Version in M28 Thread Screw Type

2.1 Connectors and the Protective Covers

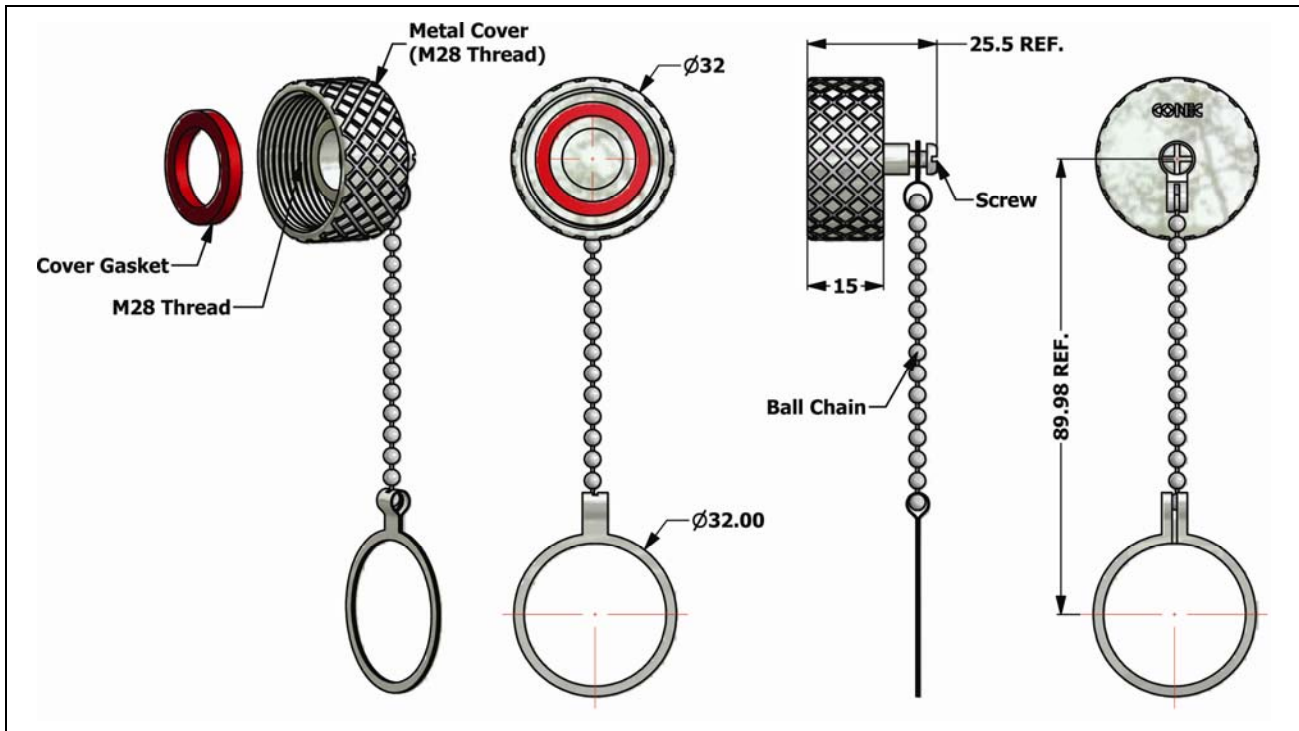
2.1.1 USB 2.0 Type A Plug Assembly Kit (M28 Thread Screw Type)



2.1.2 USB 2.0 Receptacle Assembly Kit (M28 Thread Screw Type)



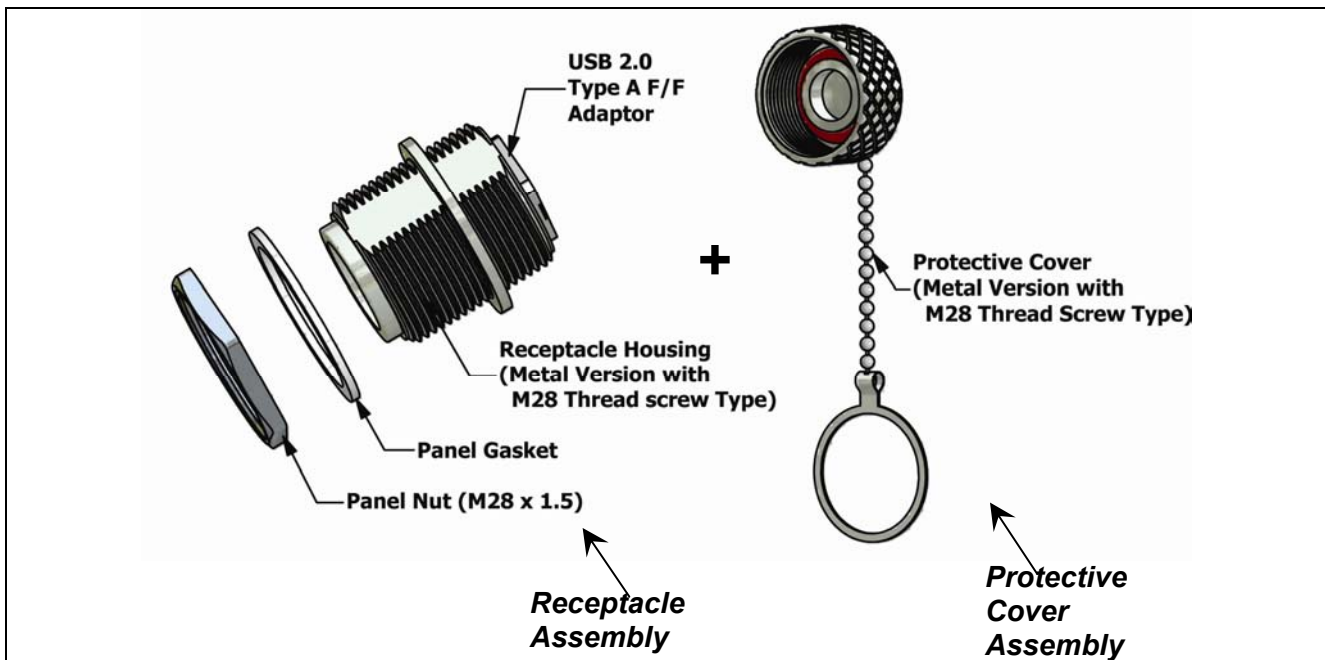
2.1.3 Protective Cover Assembly (M28 Thread Screw Type)



Protective Cover Assembly (M28 Thread Screw Type)

P/N: 17-100950

2.1.4 The USB Receptacle + Protective Cover Assembly Kit (M28 Thread Screw Type)

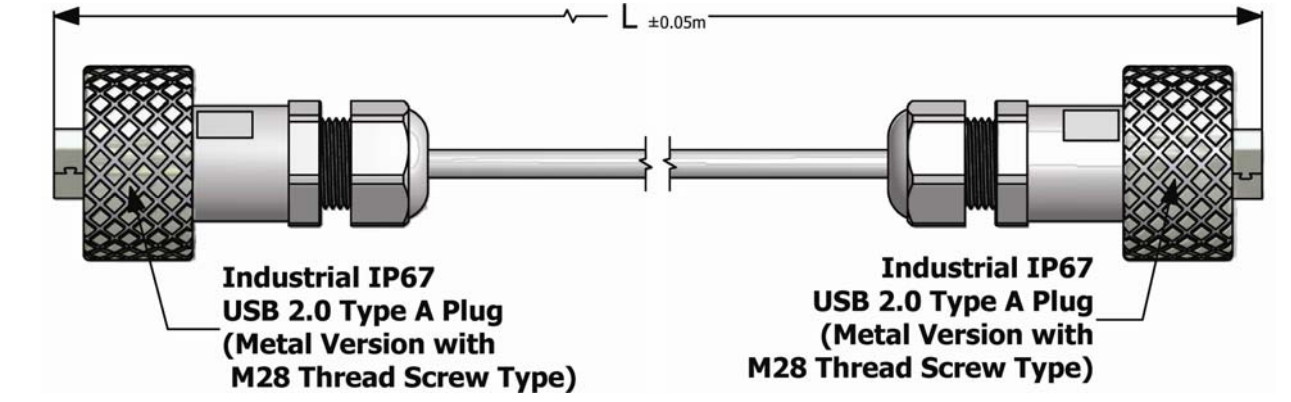


USB Receptacle + Protective Cover Assembly Kit (M28 Metal Version)

P/N: 17-200431

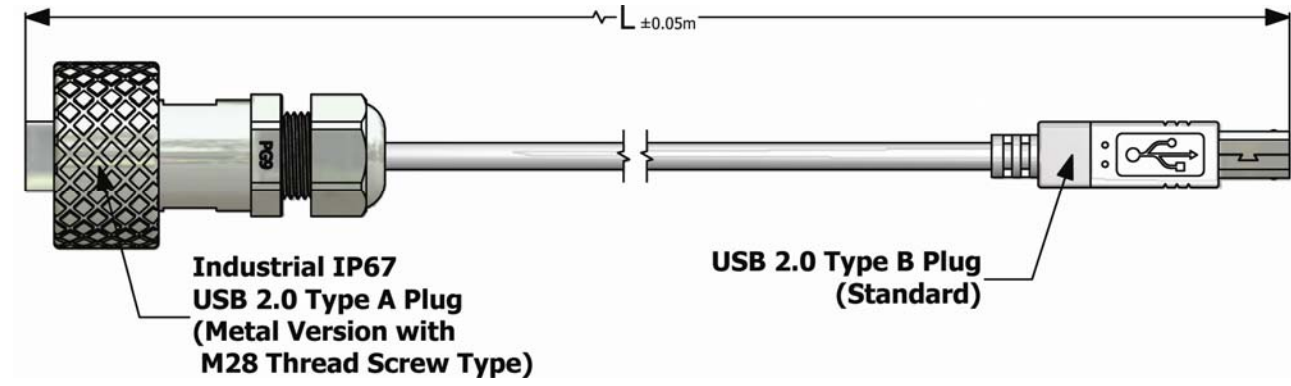
2.2 USB Patch Cord (Metal Version in M28 Thread Screw Type)

2.2.1 USB 2.0 Type A Plug (Industrial) to USB 2.0 Type A Plug (Industrial) Patch Cord (M28)



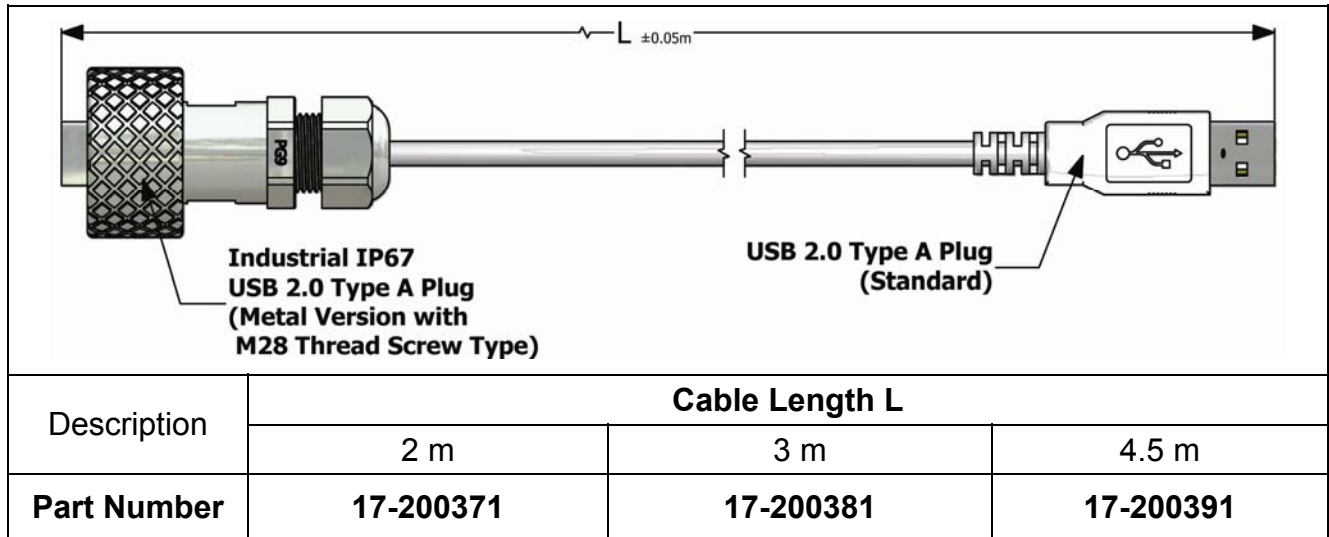
Description	Cable Length L		
	2 m	3 m	4.5 m
Part Number	17-200401	17-200411	17-200421

2.2.2 USB 2.0 Type A Plug (Industrial) to USB 2.0 Type B Plug (Standard) Patch Cord (M28)



Description	Cable Length L		
	2 m	3 m	4.5 m
Part Number	17-200341	17-200351	17-200361

2.2.3 USB 2.0 Type A Plug (Industrial) to USB 2.0 Type A Plug (Standard) Patch Cord (M28)



3 Component

3.1 The USB 2.0 Type A Plug (Solder Cup Version, P/N: 39-500101)

