

TECO Modbus Installation Guide

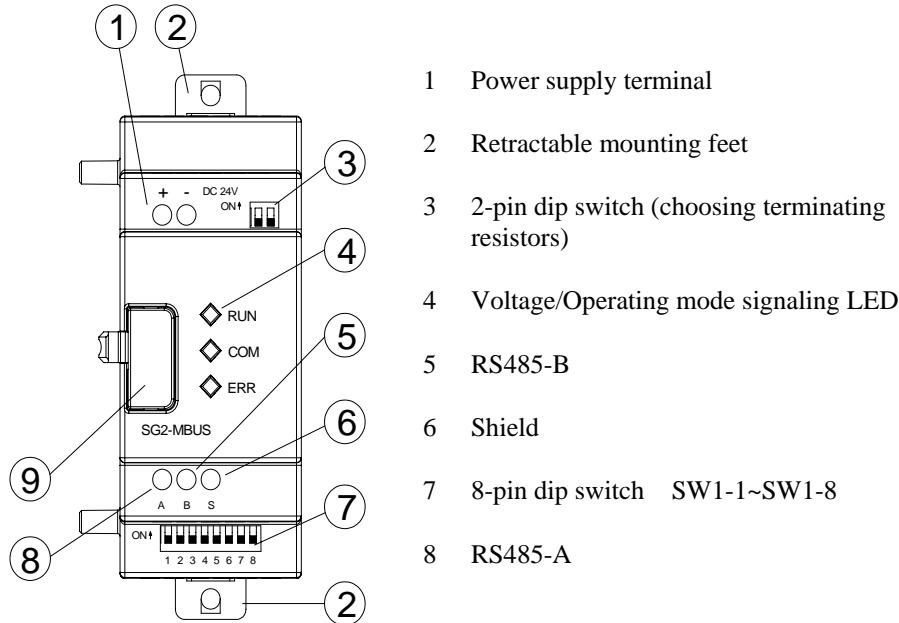
Product: SG2-MBUS

Warning!

Unintentional equipment operation.

The application of this product requires know-how in design and program of control system. Only persons qualified are allowed to program, install and apply this product.

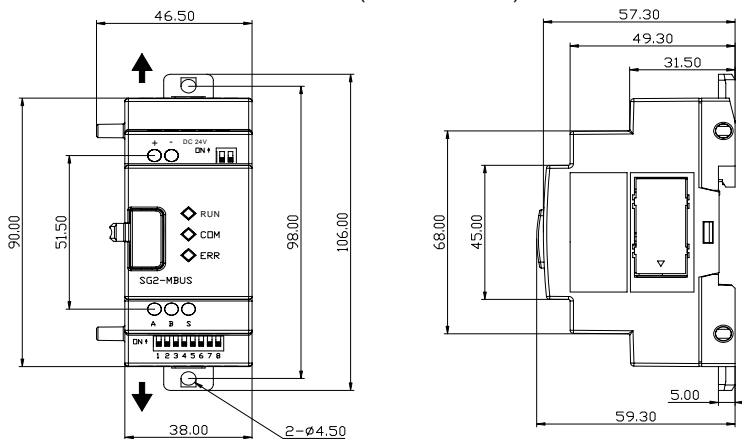
Failure to follow this instruction will result in death, serious injury or equipment damage.



8-pin Dip Switch Function

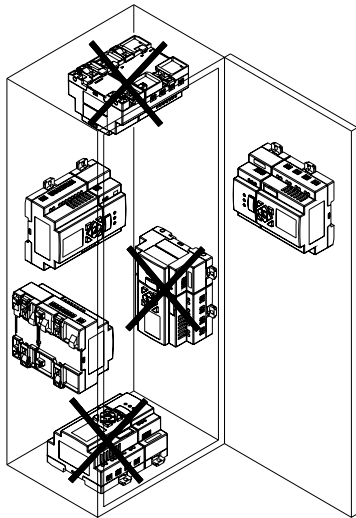
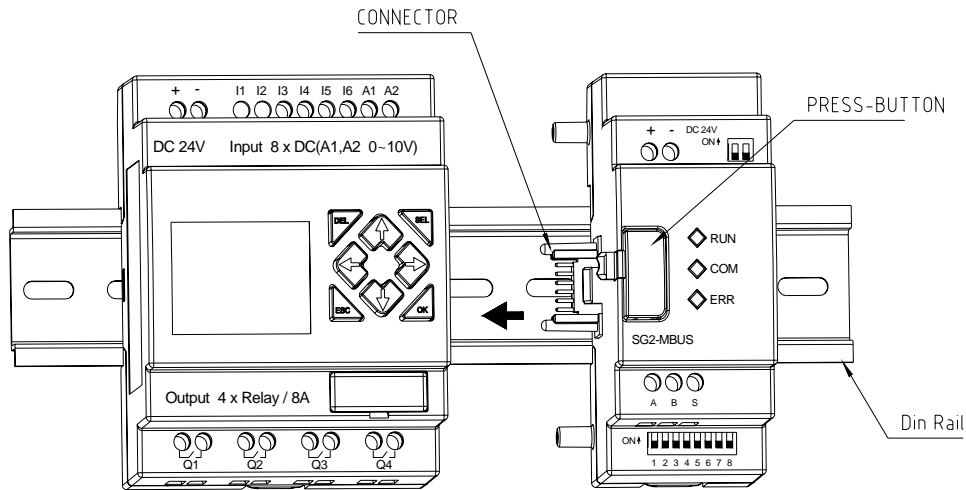
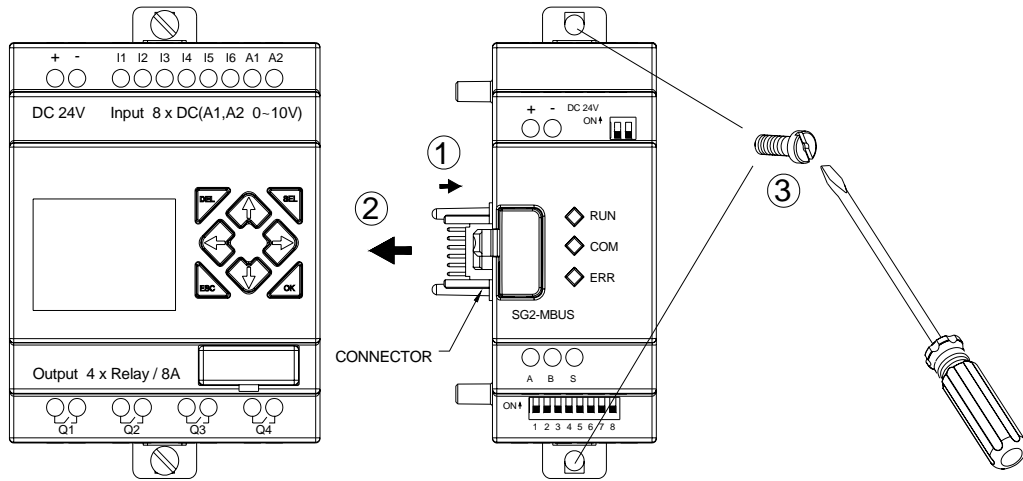
SW1-1~SW1-3	Set-up baud rate
SW1-4	Set-up stop bits and parity check bits
SW1-5	Set-up the check style (only SW1-4=1)
SW1-6	Assembles setting
SW1-7	Reserve
SW1-8	Reserve

Unit : mm (1 inch=25.4mm)



International Headquarters: 707 Dayton Road PO Box 1040 Ottawa, IL 61350 USA
 815-433-5100 Fax 433-5104 www.bb-elec.com orders@bb-elec.com support@bb-elec.com

European Headquarters: Westlink Commercial Park Oranmore Co. Galway Ireland
 +353 91 792444 Fax +353 91 792445 www.bb-europe.com orders@bb-europe.com support@bb-europe.com



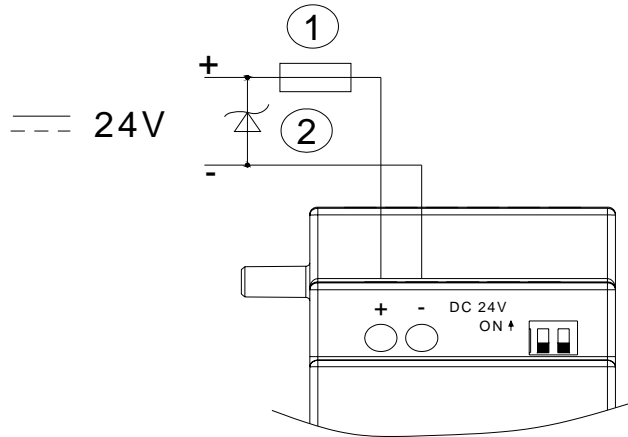
mm ²	0.14...1.5	0.14...0.75	0.14...2.5	0.14...2.5	0.14...1.5
AWG	26...16	26...18	26...14	26...14	26...16
	Ø 3.5 (0.14in)				
			Nm	0.6	
			lb-in	5.4	



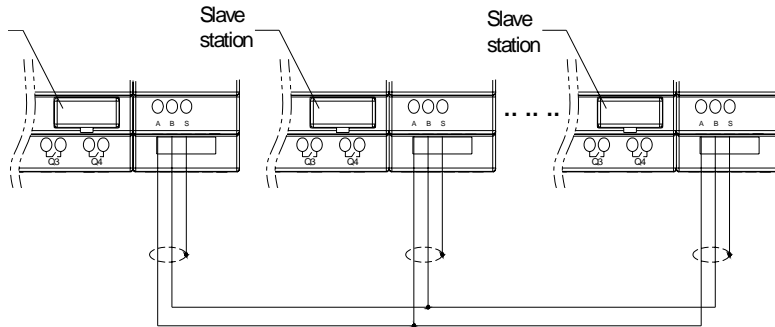
International Headquarters: 707 Dayton Road PO Box 1040 Ottawa, IL 61350 USA
 815-433-5100 Fax 433-5104 www.bb-elec.com orders@bb-elec.com support@bb-elec.com

European Headquarters: Westlink Commercial Park Oranmore Co. Galway Ireland
 +353 91 792444 Fax +353 91 792445 www.bb-europe.com orders@bb-europe.com support@bb-europe.com

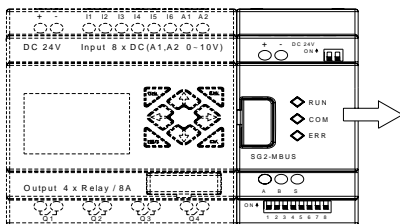
Danger!
HAZARDOUS VOLTAGE
 Cut off all power before maintenance.
Electric shock will result in death or serious injury.
Input 24V DC.



Communication - product SG2-MBUS:



1-1A quick-blowing fuse, circuit-breaker or circuit protector.
 2-Surge absorber.
 Following is what the LED working in different state means:



LED	Status	State Display
RUN	Green ON	Connected with SG2 basic unit OK.
	Green flash (2Hz)	Don't be connected with SG2 basic unit.
ERR	Red ON	Connected with SG2 but SG2 setting IO number error.
	Red flash (5Hz)	Communication with SG2 error (such as CRC error or parity check error).
	Red flash (2Hz)	Communication with Modbus error (Such as CRC error, parity error or command error).
COM	Red OFF	Communication OK.
	Yellow ON	Module receiving or sending data.
	Yellow OFF	No message communicating.



International Headquarters: 707 Dayton Road PO Box 1040 Ottawa, IL 61350 USA
 815-433-5100 Fax 433-5104 www.bb-elec.com orders@bb-elec.com support@bb-elec.com

European Headquarters: Westlink Commercial Park Oranmore Co. Galway Ireland
 +353 91 792444 Fax +353 91 792445 www.bb-europe.com orders@bb-europe.com support@bb-europe.com

8-pin Dip Switch Function

SW1-1~SW1-3	Set-up baud rate
SW1-4	Set-up stop bits and parity check bits
SW1-5	Set-up the check style (only SW1-4=1)
SW1-6	Assembles setting
SW1-7	Reserve
SW1-8	Reserve

SW1-3~SW1-1 set communication baud rate: 57.6K, 38.4k, 9.6K, 4.8K

The concrete parameters are as follow:

SW1-6	SW1-3	SW1-2	SW1-1	Baud Rate (Kbps)
OFF	OFF	OFF	OFF	4.8
OFF	OFF	OFF	ON	9.6
OFF	OFF	ON	OFF	19.2
OFF	OFF	ON	ON	38.4
OFF	ON	*	*	57.6
ON	*	*	*	38.4

Setting parity checks bits and stop bits:

SW1-4 sets stop bits and parity check bits.

SW1-5 sets the check style (only SW1-4=1).

SW1-6 assembles setting.

The concrete parameters are as follow:

SW1-8	SW1-7	SW1-6	SW1-5	SW1-4	Setting stop bit and parity bit
*	*	OFF	*	OFF	2 stop bits, no parity bit
*	*	OFF	OFF	ON	1 stop bit, 1 odd parity bit
*	*	OFF	ON	ON	1 stop bit, 1 even parity bit
*	*	ON	*	*	SW1-1~SW1-5 setting is invalid, communication assembled setting baud rate 38400bps, 2 stop bits, no parity bit.

*Can be off or on.