

ISOLATING SIGNAL CONVERTER

SLIMCON

The new SLIMCON isolating signal converter can accept any standard process signal.



- 6.2mm wide DIN Rail case
- User configurable input
- 3 port isolation (1kV)
- Span / Zero adjustment
- Fast conversion response (25 μ S Typical)
- High accuracy
- 24Vdc supply
- CE, cUL, UL approvals (pending)

Description

The SLIMCON family of Isolating Signal Converters can accept a range of standard DC current and voltage signal inputs and provides an isolated DC output of either voltage or current. The 6.2mm wide case means the SLIMCON can save vital panel space in high-density applications.

Full 3-port isolation is standard on the product range.

The SLIMCON is fully user configurable using the built in switches together with the zero and span adjustment potentiometers.

The SLIMCON can be factory configured to accept specific current or voltage inputs and outputs.

The unit can be powered from 16 to 30Vdc.

Inputs

DC Current:
0-20mA, 4-20mA, 0-10mA into 5 Ω /11 Ω
DC Voltage:
0-10V, 1-5V, 0-5V, 2-10V into 1M Ω

Outputs

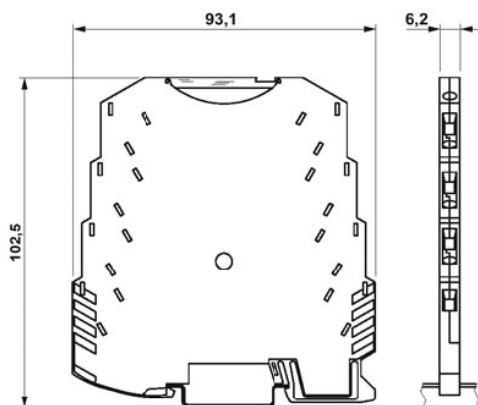
DC Current:
0-20mA, 4-20mA into 750 Ω
DC Voltage:
0-10V, 1-5V into a minimum 2k Ω



International Headquarters: 707 Dayton Road PO Box 1040 Ottawa, IL 61350 USA
815-433-5100 Fax 433-5104 www.bb-elec.com orders@bb-elec.com support@bb-elec.com

European Headquarters: Westlink Commercial Park Oranmore Co. Galway Ireland
+353 91 792444 Fax +353 91 792445 www.bb-europe.com orders@bb-europe.com support@bb-europe.com

Parameter	Min	Typ	Max ^{see note 2}	Comments
Supply Voltage	16V	24V	30V	See note
Supply Current (mA)		52	60	Based on 24 V dc supply
Input Impedance (Volt)		1M Ω		
Input Impedance (mA)		5 Ω	12 Ω	Dependent on range (Typ=20mA)
Volt drop (mA input)		0.1	0.15	At 20mA input
Output Linearity Error		$\pm 0.03\%$	$\pm 0.1\%$	See note 3.
Temp Coefficient			$\pm 100\text{ppm}/^\circ\text{C}$	
Load Resistance Error			$\pm 10\text{ppm}/\Omega$	$0 \leq R_L \leq 750\Omega$
Time Constant (10-90%)		25 μS	150 μS	
Operating Ambient	0 $^\circ\text{C}$		55 $^\circ\text{C}$	
Relative Humidity	0%		90%	
Isolation Voltage ^{see note 1}	1kV			
Surge Voltage	2.5kV for 50 μS			Transient of 10kV/ μS
Notes	1. SLIMCON does NOT provide safety isolation when the input is connected to the mains. 2. Maximum ratings indicate sustained limits beyond which damage to the device may occur. 3. Accuracy figures based on 24Vdc supply, 4-20mA output with 250 Ω load and 20 $^\circ\text{C}$ ambient. 4. Device is protected against reverse polarity connection.			



Installation Data

Mounting	DIN Rail TS35
Orientation	Any
Connections	Screw Clamp / pressure plate
Conductor size	0.5mm - 4.0mm
Insulation Stripping	12mm
Weight	Approx. 60g

Connection Details

1. Power Supply -ve
2. Power Supply +ve
4. Process Input -ve
5. Process Input +ve
10. Output -ve
12. Output +ve

Ordering Information

Please supply:

Part Number:	SLIMCON
Input Type:	A or V
Input Range:	e.g. 4-20, 0-10
Output Type:	A or V
Output Range:	e.g. 4-20mA, 0-10V

B&B electronics
MANUFACTURING COMPANY

International Headquarters: 707 Dayton Road PO Box 1040 Ottawa, IL 61350 USA
815-433-5100 Fax 433-5104 www.bb-elec.com orders@bb-elec.com support@bb-elec.com

European Headquarters: Westlink Commercial Park Oranmore Co. Galway Ireland
+353 91 792444 Fax +353 91 792445 www.bb-europe.com orders@bb-europe.com support@bb-europe.com