

SSRDIN Solid State Relays

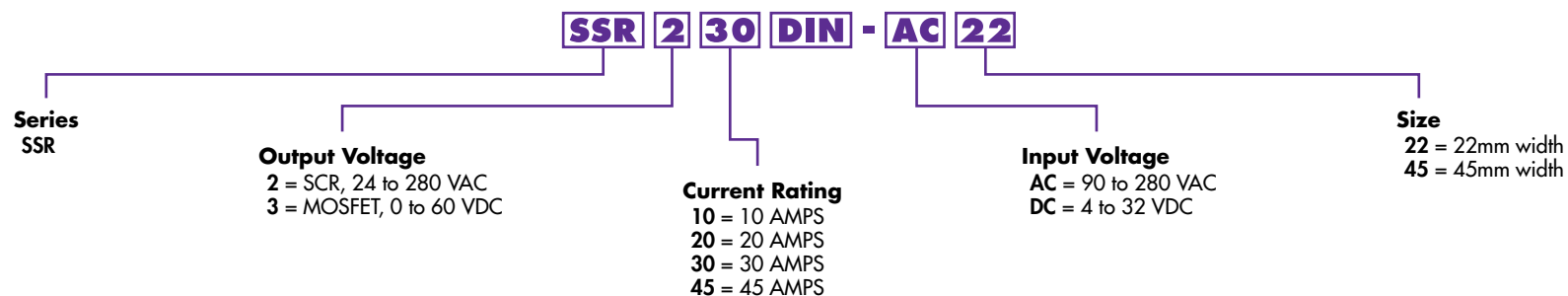
GENERAL SPECIFICATIONS



OUTPUT CHARACTERISTICS	SSR2**DIN-AC**	SSR2**DIN-DC**	SSR3**DIN-DC22†
Output type	SCR		MOSFET
Contact configuration	SPST-NO		
Current rating	10, 20, 30 or 45 A		10, 20 or 30 A
Output voltage	24 to 280 VAC		0 to 60 VDC
Switching type	Zero Cross Switching		DC Switching
INPUT CHARACTERISTICS			
Input voltage	90 to 280 VAC	4 to 32 VDC	4 to 32 VDC
Must release voltage	10 AC	1 DC	1 DC
Typical input current	2 to 4 mA	8 to 12 mA	9 to 11 mA
PERFORMANCE CHARACTERISTICS			
Maximum response time (on and off)	1/2 cycle		1 ms
Dielectric strength (terminals to chassis)	4000 VAC		
ENVIRONMENT			
Ambient air temperature around the device	Storage	-40 to 125 °C	
	Operation	-40 to 80 °C	
Degree of protection	IP 20		
MISCELLANEOUS CHARACTERISTICS			
Weight	22mm: 272 g (9.6 oz); 45mm: 482 g (17 oz)		
Terminal screw torque	Input	10 to 30 A: lb (nM); 45 A: lb (nM)	
	Output	10 to 30 A: lb (nM); 45 A: lb (nM)	

†UL and CSA certifications not available for MOSFET versions.

PART NUMBER EXPLANATION



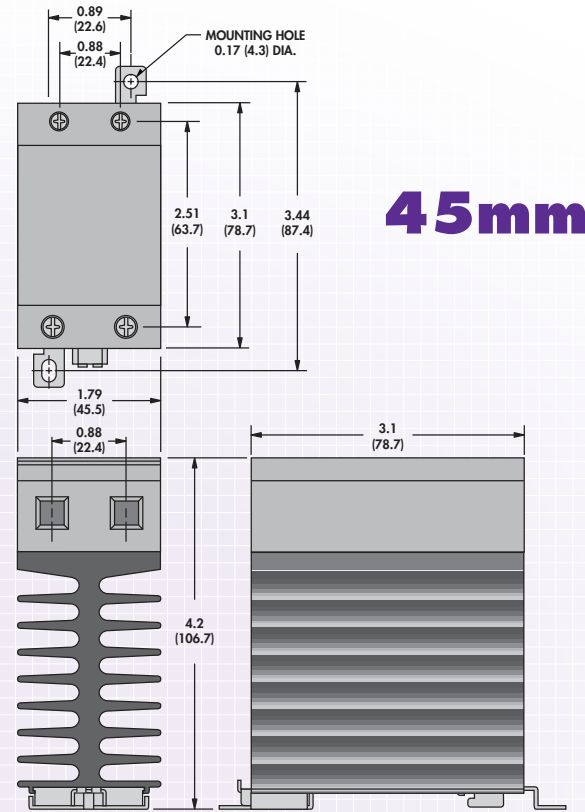
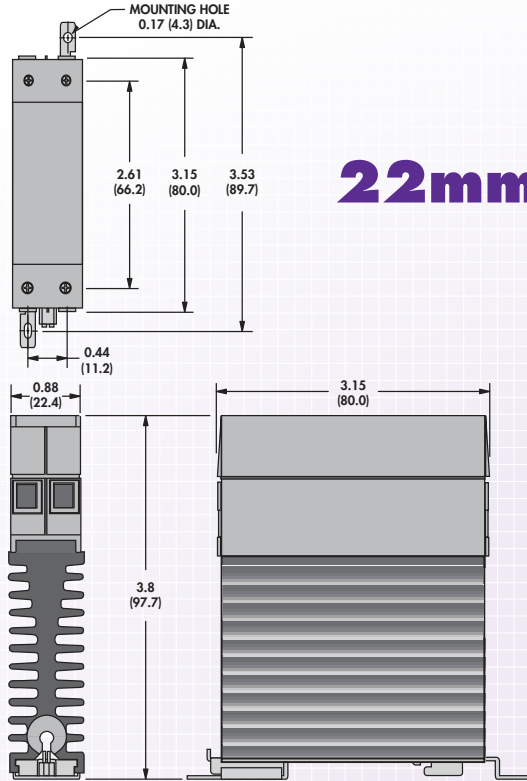
Secure online ordering 24/7/365 from



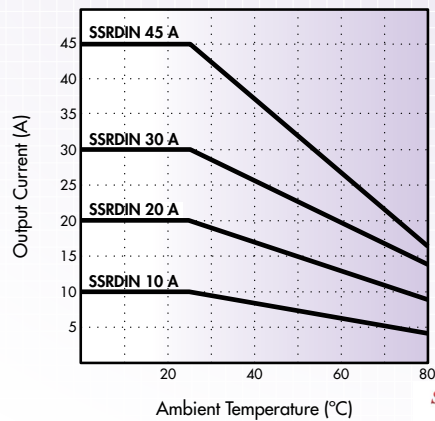
International Headquarters: 707 Dayton Road - PO Box 1040 - Ottawa, IL 61350 USA
 815-433-5100 Fax 815-433-5104 www.bb-elec.com orders@bb-elec.com support@bb-elec.com
 European Headquarters: Westlink Commercial Park - Oramore Co. Galway - Ireland
 +353 91 792444 Fax +353 91 792445 www.bb-europe.com orders@bb-europe.com support@bb-europe.com

DIMENSIONS

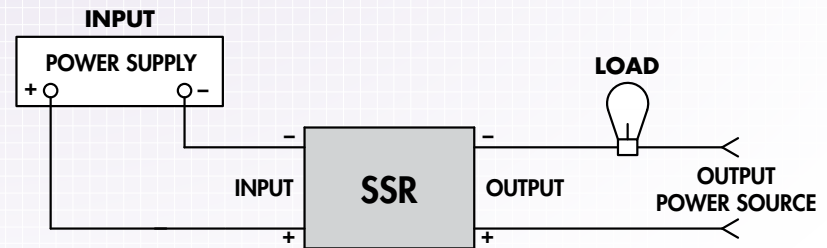
shown in inches (millimeters)



**Load Current vs Ambient Temperature
(100% Duty Cycle)**



WIRING DIAGRAM



Secure online ordering
24/7/365 from

B & B electronics
MANUFACTURING COMPANY