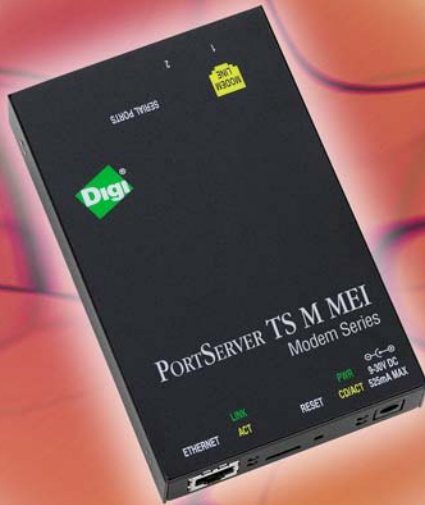


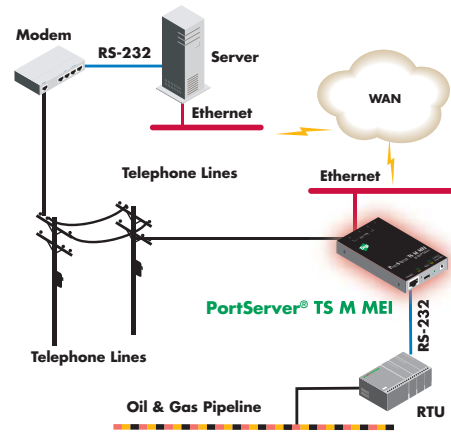
PortServer® TS M MEI

Device Server Modem Series



The PortServer TS M MEI* Modem Series offers Ethernet and RS-232/422/485 serial connections, with the added flexibility of an internal modem for dial-up connectivity to remote serial devices.

Remote Dial-Up



*MEI = Multi-Electrical Interface (RS-232/422/485)

Features/Benefits

- > Easily connect to remote networks and devices
- > Internal v.90/v.92 modem
- > Static and RIP1 routing
- > Switch selectable RS-232/422/485 provides an easy connection to any serial device
- > Patented Digi RealPort® redirector for COM or TTY port control and management
- > NIST FIPS-197 certified (secure AES)
- > PPP and SSH for creating secure IP network over serial connection
- > Easy IP assignment via DHCP, RARP, ARP-Ping or Digi utilities

Overview

The PortServer TS M MEI Modem Series allows users to create connections from serial devices to Ethernet networks and over standard phone lines. It combines the inherent benefits of data networking with proven asynchronous connectivity to deliver powerful yet simple Ethernet connectivity for any serial device.

PortServer TS M MEI is ideal for facilities that need local serial-to-Ethernet connectivity, with the added ability to establish a PPP link using a dial-up connection. The modem extends TCP/IP communications over a standard phone line, which creates a backup connection in case the primary Ethernet connection fails. This remote dial-up functionality allows users from a central location to maintain access to remote serial devices at all times. Other applications include remote site console management for small branches and remote log-in via a TCP/IP network for easy troubleshooting, monitoring, configuration or control.

As with all of Digi's device server solutions, PortServer TS M MEI delivers universal, high-performance multiport serial-to-Ethernet connectivity and is ideal for applications requiring COM ports, serial tunneling, TCP/UDP Sockets or the ability to send UDP packets to multiple destinations. Patented RealPort technology makes it possible to establish a connection between the host and networked serial device by creating a local COM or TTY port on the host computer, allowing software applications to work with networked device servers instead of requiring a host adapter.

Digi International makes device networking easy by developing products and technologies that are cost-effective and easy to use. With over 20 million ports shipped worldwide, Digi has been offering the highest levels of performance, flexibility, and quality since 1985.



Features/Specifications

FEATURES

- 10/100Base-T Ethernet support
- 1/3 serial ports; switch-selectable RS-232/422/485
- 1 RJ-11 modem port
- Baud rates up to 230 Kbps (serial ports)
- Internal v.90/v.92 modem
- Full modem and hardware flow control
- DHCP/RARP/ARP-Ping for IP address assignment
- Tunable for low latency or optimized throughput
- TCP/UDP Socket Services
- Telnet and Reverse Telnet
- Patented RealPort technology for COM and TTY ports
- RFC 2217
- PPP
- Static routing
- RIP 1
- SSH v2
- Port buffering
- Modbus/TCP protocol conversion
- HTTP and HTTPS for configuration
- SNMP v1 (read/write)
- Digi Port Authority – Remote management diagnostics and auto-discovery tool
- LED status for link and power
- RJ-45/DB-9F crossover cable included for configuration
- DIN rail mounting options

OPERATING SYSTEMS

- AIX
- HP-UX
- Linux
- Windows® XP
- Windows Server™ 2003
- Windows 2000
- Windows NT®
- Windows 98/ME
- SCO® OpenServer™
- SCO UnixWare™
- Solaris™ (Intel)
- Solaris (SPARC)
- TCP/UDP Socket Services are operating system independent

REGULATORY APPROVALS

- FCC Part 15 Subpart B, Class B
- EN55022, Class B
- EN61000-3-2, 3
- EN55024
- UL60950
- CAN/CSA C22.2 No. 60950
- EN60950

ENVIRONMENTAL

- Operating temperature: 0° C to 50° C (32° F to 122° F)
- Relative humidity: 5% to 90% (non-condensing)

POWER REQUIREMENTS

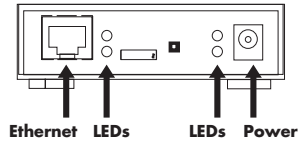
- Ships with 100/240 VAC adapter (supplying 12VDC @ 1.0 A)
- Maximum power requirements: 9-30VDC @ 525 mA

DIMENSIONS

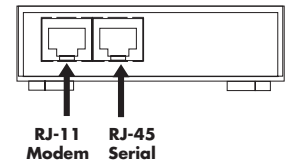
- Length: 5.25 in (13.34 cm)
- Width: 3.33 in (8.46 cm)
- Depth: 0.95 in (2.42 cm)
- Weight: 2.25 oz (64.00 g)



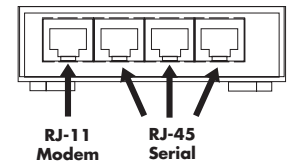
PortServer TS Family - Front



PortServer TS M MEI 1-Port - Back



PortServer TS M MEI 3-Port - Back



MODEL.....PART NUMBERS

Model	North America	International
PortServer TS 1 M MEI	70001898	70001985
PortServer TS 3 M MEI	70001899	70001986

DIGI SERVICE AND SUPPORT

You can purchase with confidence knowing that Digi is here to support you with expert technical support and a strong five-year warranty. <http://support.digi.com>

Digi International

11001 Bren Road E.
Minnetonka, MN 55343 USA
PH: 877-912-3444
952-912-3444
FX: 952-912-4952
Email: info@digi.com
www.digi.com

Digi International GmbH

Joseph-von-Fraunhofer Str. 23
D-44227 Dortmund
Germany
PH: +49-231-9747-0
FX: +49-231-9747-111
www.digi.de

Digi International (HK) Limited

Suite 1703-05, 17/F.,
K Wah Centre
191 Java Road
North Point, Hong Kong
PH: +852-2833-1008
FX: +852-2572-9989
www.digi.cn

www.digi.com

email:
info@digi.com



© 2004-2006 Digi International Inc. All rights reserved. Digi, Digi International, the Digi logo, the Making Device Networking Easy logo, RealPort and PortServer are either trademarks or registered trademarks of Digi International Inc. in the United States and other countries worldwide. All other trademarks are the property of their respective holders.

91001260
C1/106